

Parts List

Ref	Var	IPN	Description
C100		018-13150-00	Cap 0603 150p 50v NPO ±5%
C101		018-13150-00	Cap 0603 150p 50v NPO ±5%
C102		018-13150-00	Cap 0603 150p 50v NPO ±5%
C103		015-26100-08	Cap Cer 0805 100n 10% X7r 50v
C114	H5	018-12560-10	Cap 0603 56p 50v NPO ±1%
C114	H7		Not fitted
C201		018-15470-00	Cap 0603 47n 16v X7r±10%
C202		015-07470-20	CAP Cer 1206 4u7 10% 25V X7R
C203		018-16100-00	Cap 0603 100n 16v x7r + - 10%
C204		018-16100-00	Cap 0603 100n 16v x7r + - 10%
C206		018-13680-00	Cap 0603 680p 50v X7r±10%
C207		015-07220-08	Cap Cer 1206 2u2 16v X7r
C208		018-13680-00	Cap 0603 680p 50v X7r±10%
C209		018-16100-00	Cap 0603 100n 16v x7r + - 10%
C210		018-12680-10	Cap 0603 68p 50v NPO ±1%
C211		018-16100-00	Cap 0603 100n 16v x7r + - 10%
C212		015-07470-20	CAP Cer 1206 4u7 10% 25V X7R
C213		018-16100-00	Cap 0603 100n 16v x7r + - 10%
C214		018-16100-00	Cap 0603 100n 16v x7r + - 10%
C215		018-16100-00	Cap 0603 100n 16v x7r + - 10%
C216		018-16100-00	Cap 0603 100n 16v x7r + - 10%
C217		018-16100-00	Cap 0603 100n 16v x7r + - 10%
C218		018-14100-00	Cap 0603 1n 50v X7r ±10%
C219		018-16100-00	Cap 0603 100n 16v x7r + - 10%
C220		018-16100-00	Cap 0603 100n 16v x7r + - 10%
C221		018-16100-00	Cap 0603 100n 16v x7r + - 10%
C222		018-13100-10	Cap 0603 100p 50v NPO±1%
C223		018-16100-00	Cap 0603 100n 16v x7r + - 10%
C224		015-27100-10	Cap Cer 0805 1m+80-20% Y5v 16v
C225		018-16100-00	Cap 0603 100n 16v x7r + - 10%
C226		018-16100-00	Cap 0603 100n 16v x7r + - 10%
C227		018-16100-00	Cap 0603 100n 16v x7r + - 10%
C228		015-26100-08	Cap Cer 0805 100n 10% X7r 50v
C231		015-27100-08	Cap Cer 0805 X7R 1uF 16V 10%
C3003		016-08100-03	Cap Elec SMD 10uF 35V 105/2000
C305		018-16100-00	Cap 0603 100n 16v x7r + - 10%
C307		018-13150-00	Cap 0603 150p 50v NPO ±5%
C308		018-13470-00	Cap 0603 470p 50v X7r±10%
C309		018-12150-10	Cap 0603 15p 50v NPO ±1%
C310		018-14100-00	Cap 0603 1n 50v X7r ±10%
C311		018-13270-00	Cap 0603 270p 50v NPO±5%
C314	H5	018-12330-10	Cap 0603 33p 50v NPO ±1%
C314	H7	018-12270-10	Cap 0603 27p 50v NPO ±1%
C315		018-13150-00	Cap 0603 150p 50v NPO ±5%
C317		015-23150-05	Cap 0805 150p 1% 200v Grm40
C318		015-23150-01	Cap Cer 0805 150p 5% NPO 50v
C319		018-12100-10	Cap 0603 10p 50v NPO±0.1
C320A	H5	015-22390-05	Cap 0805 39p 1% 200v
C320A	H7	015-22330-05	Cap Cer 0805 33p+-0.1pf 200v
C320B	H5	015-22390-05	Cap 0805 39p 1% 200v
C320B	H7	015-22330-05	Cap Cer 0805 33p+-0.1pf 200v
C321A	H5	015-22390-05	Cap 0805 39p 1% 200v
C321A	H7	015-22330-05	Cap Cer 0805 33p+-0.1pf 200v
C321B	H5	015-22390-05	Cap 0805 39p 1% 200v
C321B	H7	015-22330-05	Cap Cer 0805 33p+-0.1pf 200v
C322		018-14100-00	Cap 0603 1n 50v X7r ±10%
C323		018-16100-00	Cap 0603 100n 16v x7r + - 10%
C324		018-13470-00	Cap 0603 470p 50v X7r±10%
C325		015-26100-08	Cap Cer 0805 100n 10% X7r 50v
C326		015-23150-05	Cap 0805 150p 1% 200v Grm40
C327		015-23150-05	Cap 0805 150p 1% 200v Grm40
C330		015-26100-08	Cap Cer 0805 100n 10% X7r 50v
C331		015-02470-07	Cap Cer 1111 47P 5% 500V C17CF
C333		015-23150-01	Cap Cer 0805 150p 5% NPO 50v
C334		015-02470-07	Cap Cer 1111 47P 5% 500V C17CF
C335		018-13150-00	Cap 0603 150p 50v NPO ±5%
C338		018-13150-00	Cap 0603 150p 50v NPO ±5%
C339		018-13150-00	Cap 0603 150p 50v NPO ±5%
C340		018-14100-00	Cap 0603 1n 50v X7r ±10%
C341		018-13220-00	Cap 0603 220p 50v NPO±5%
C342		018-13220-00	Cap 0603 220p 50v NPO±5%
C343		018-13220-00	Cap 0603 220p 50v NPO±5%
C344		018-13220-00	Cap 0603 220p 50v NPO±5%
C346		018-13150-00	Cap 0603 150p 50v NPO ±5%
C347		018-13150-00	Cap 0603 150p 50v NPO ±5%
C348		015-23150-05	Cap 0805 150p 1% 200v Grm40
C349		015-23150-05	Cap 0805 150p 1% 200v Grm40

Ref	Var	IPN	Description
C3500		018-13150-00	Cap 0603 150p 50v NPO ±5%
C3503		018-13150-00	Cap 0603 150p 50v NPO ±5%
C3504		018-14100-00	Cap 0603 1n 50v X7r ±10%
C3505		018-11560-10	Cap 0603 5p6 50v NPO±0.1p
C3509		018-11820-10	Cap 0603 8p2 50v NPO±0.1p
C350		015-23150-05	Cap 0805 150p 1% 200v Grm40
C3510		018-14100-00	Cap 0603 1n 50v X7r ±10%
C3512		018-16100-00	Cap 0603 100n 16v x7r + - 10%
C3513		018-13150-00	Cap 0603 150p 50v NPO ±5%
C3514		018-14100-00	Cap 0603 1n 50v X7r ±10%
C3515		018-16100-00	Cap 0603 100n 16v x7r + - 10%
C3516		018-16100-00	Cap 0603 100n 16v x7r + - 10%
C3517		018-13150-00	Cap 0603 150p 50v NPO ±5%
C3518		029-02390-02	Cap Mica 5mm Case 39p 5%
C3519		029-02390-02	Cap Mica 5mm Case 39p 5%
C3520A	H5		Not fitted
C3520A	H7	015-02180-07	Cap Cer 1111 18p 5% 500V C17CF
C3520B	H5	015-02270-07	Cap Cer 1111 27p 5% 500v C17CF
C3520B	H7		Not fitted
C3521A	H5		Not fitted
C3521A	H7	015-02180-07	Cap Cer 1111 18p 5% 500V C17CF
C3521B	H5	015-02270-07	Cap Cer 1111 27p 5% 500v C17CF
C3521B	H7		Not fitted
C3522Q		015-21390-05	Cap Cer 0805 3p9+0.1pf 200v
C3522P		015-21330-05	Cap Cer 0805 3p3+-0.1pf 200v
C3522O		015-21330-05	Cap Cer 0805 3p3+-0.1pf 200v
C3522R		015-21390-05	Cap Cer 0805 3p9+0.1pf 200v
C3522Q	H5	015-21390-05	Cap Cer 0805 3p9+0.1pf 200v
C3522Q	H7		Not fitted
C3522N	H5		Not fitted
C3522N	H7	015-21330-05	Cap Cer 0805 3p3+-0.1pf 200v
C3522R	H5	015-21390-05	Cap Cer 0805 3p9+0.1pf 200v
C3522R	H7		Not fitted
C3522O	H5	015-21330-05	Cap Cer 0805 3p3+-0.1pf 200v
C3522O	H7	015-21270-05	Cap Cer 0805 2p7 +0.1pf 200v
C3522M	H5		Not fitted
C3522M	H7	015-21330-05	Cap Cer 0805 3p3+-0.1pf 200v
C3527		018-13150-00	Cap 0603 150p 50v NPO ±5%
C3528		015-22390-05	Cap 0805 39p 1% 200v
C3530		015-21220-05	Cap Cer 0805 2p2 +-0.1pf 200v
C3531		015-21220-05	Cap Cer 0805 2p2 +-0.1pf 200v
C3532	H5	015-21150-05	Cap Cer 0805 1p5 +0.1pf 200v
C3532	H7	015-21120-05	Cap Cer 0805 1p2 +0.1pf 2
C3533		015-20050-02	Cap 0805 0p5 +/-0.1p NPO 50v
C3535	H5	015-21120-05	Cap Cer 0805 1p2+-0.2 NPO200v
C3535	H7	015-21120-05	Cap Cer 0805 1p2 +0.1pf 2
C3536	H5	015-21150-05	Cap Cer 0805 1p5 +0.1pf 200v
C3536	H7	015-21100-05	Cap Cer 0805 1p0+-0.1pf 200v
C3537	H5	015-21100-05	Cap Cer 0805 1p0+-0.1pf 200v
C3537	H7	015-21150-05	Cap Cer 0805 1p5 +0.1pf 200v
C353	H5	015-21820-05	Cap Cer 0805 8p2+-0.1pf 200v
C353	H7	015-21680-05	Cap Cer 0805 6p8+-0.1pf 200v
C3540	H5	018-11820-10	Cap 0603 8p2 50v NPO±0.1p
C3540	H7	018-11600-10	Cap 0603 6p0 50v NPO±0.1p
C3541	H5	018-12100-10	Cap 0603 10p 50v NPO±0.1
C3541	H7	018-11600-10	Cap 0603 6p0 50v NPO±0.1p
C3542	H5	018-11470-10	Cap 0603 4p7 50v NPO±0.1p
C3542	H7	018-11220-10	Cap 0603 2p2 50v NPO±0.1p
C3545		015-01680-09	Cap Cer 1111 6P8 +-.1P 500VC17
C3546		018-14101-00	Cap 0603 1n 50v NPO ±5%
C3547		015-20050-02	Cap 0805 0p5 +/-0.1p NPO 50v
C354	H5	015-22100-05	Cap Cer 0805 10p +0.1pf 200v
C354	H7	015-21680-05	Cap Cer 0805 6p8+-0.1pf 200v
C355	H5	015-21820-05	Cap Cer 0805 8p2+-0.1pf 200v
C355	H7	015-21680-05	Cap Cer 0805 6p8+-0.1pf 200v
C356		018-13150-00	Cap 0603 150p 50v NPO ±5%
C357		018-13150-00	Cap 0603 150p 50v NPO ±5%
C358		018-12100-10	Cap 0603 10p 50v NPO±0.1
C359		018-13150-00	Cap 0603 150p 50v NPO ±5%
C360		018-13150-00	Cap 0603 150p 50v NPO ±5%
C361	H5	015-21820-05	Cap Cer 0805 8p2+-0.1pf 200v
C361	H7	015-21680-05	Cap Cer 0805 6p8+-0.1pf 200v
C362	H5	015-22100-05	Cap Cer 0805 10p +0.1pf 200v
C362	H7	015-21680-05	Cap Cer 0805 6p8+-0.1pf 200v
C363	H5	015-21820-05	Cap Cer 0805 8p2+-0.1pf 200v
C363	H7	015-21680-05	Cap Cer 0805 6p8+-0.1pf 200v
C365		018-13150-00	Cap 0603 150p 50v NPO ±5%

Ref	Var	IPN	Description
C388		018-14470-00	Cap 0603 4n7 50v X7r±10%
C389		015-23150-05	Cap 0805 150p 1% 200v Grm40
C391		018-16100-00	Cap 0603 100n 16v x7r + - 10%
C392		018-16100-00	Cap 0603 100n 16v x7r + - 10%
C393		018-16100-00	Cap 0603 100n 16v x7r + - 10%
C394		018-15470-00	Cap 0603 47n 16v X7r±10%
C400	H5	018-11560-10	Cap 0603 5p6 50v NPO±0.1p
C400	H7	018-11470-10	Cap 0603 4p7 50v NPO±0.1p
C401	H5	018-11470-10	Cap 0603 4p7 50v NPO±0.1p
C401	H7	018-11330-10	Cap 0603 3p3 50v NPO±0.1p
C402		018-11330-10	Cap 0603 3p3 50v NPO±0.1p
C403	H5	018-12390-10	Cap 0603 39p 50v NPO ±1%
C403	H7	018-12270-10	Cap 0603 27p 50v NPO ±1%
C404		018-15100-00	Cap 0603 10n 50v X7r ±10%
C405	H5	018-11560-10	Cap 0603 5p6 50v NPO±0.1p
C405	H7	018-11470-10	Cap 0603 4p7 50v NPO±0.1p
C406	H5	018-11330-10	Cap 0603 3p3 50v NPO±0.1p
C406	H7	018-11120-10	Cap 0603 1p2 50v NPO±0.1p
C408		018-12100-10	Cap 0603 10p 50v NPO±0.1
C409		018-15100-00	Cap 0603 10n 50v X7r ±10%
C410		018-16100-00	Cap 0603 100n 16v x7r + - 10%
C411		018-15100-00	Cap 0603 10n 50v X7r ±10%
C412		018-16100-00	Cap 0603 100n 16v x7r + - 10%
C413		018-14100-00	Cap 0603 1n 50v X7r ±10%
C414		018-12270-10	Cap 0603 27p 50v NPO ±1%
C415		018-15150-00	Cap 0603 15n 50v X7r ±10%
C416		018-12390-10	Cap 0603 39p 50v NPO ±1%
C417		018-16100-00	Cap 0603 100n 16v x7r + - 10%
C418		018-16100-00	Cap 0603 100n 16v x7r + - 10%
C419		018-16100-00	Cap 0603 100n 16v x7r + - 10%
C420	H5	018-11560-10	Cap 0603 5p6 50v NPO±0.1p
C420	H7	018-11390-10	Cap 0603 3p9 50v NPO±0.1p
C421		018-15100-00	Cap 0603 10n 50v X7r ±10%
C422	H5	018-11470-10	Cap 0603 4p7 50v NPO±0.1p
C422	H7	018-11330-10	Cap 0603 3p3 50v NPO±0.1p
C423		018-15100-00	Cap 0603 10n 50v X7r ±10%
C424		018-11330-10	Cap 0603 3p3 50v NPO±0.1p
C425		018-12330-10	Cap 0603 33p 50v NPO ±1%
C426		018-16100-00	Cap 0603 100n 16v x7r + - 10%
C427		018-13100-10	Cap 0603 100p 50v NPO±1%
C428		018-13100-10	Cap 0603 100p 50v NPO±1%
C429	H5	018-12390-10	Cap 0603 39p 50v NPO ±1%
C429	H7	018-12270-10	Cap 0603 27p 50v NPO ±1%
C430		018-16100-00	Cap 0603 100n 16v x7r + - 10%
C431		018-16100-00	Cap 0603 100n 16v x7r + - 10%
C432	H5	018-11330-10	Cap 0603 3p3 50v NPO±0.1p
C432	H7	018-11120-10	Cap 0603 1p2 50v NPO±0.1p
C433	H5	018-11180-10	Cap 0603 1p8 50v NPO±0.1p
C433	H7	018-11220-10	Cap 0603 2p2 50v NPO±0.1p
C434			

Parts List

PCB IPN 220-01722-02

Ref	Var	IPN	Description	Ref	Var	IPN	Description	Ref	Var	IPN	Description	Ref	Var	IPN	Description
C460		018-16100-00	Cap 0603 100n 16v x7r + - 10%	C555		018-14680-00	CAP 0603 6N8 50v X7R ±10%	C715		015-26100-08	Cap Cer 0805 100n 10% X7r 50v	D725		001-10070-01	Diode BAV70W Dual Ss SOT323
C461		018-15100-00	Cap 0603 10n 50v X7r ±10%	C556		018-13150-00	Cap 0603 150p 50v NPO ±5%	C717		018-16100-00	Cap 0603 100n 16v x7r + - 10%	D726		001-10099-01	Diode BAV99w Dual Ss
C462		018-11100-10	Cap 0603 1p0 50v NPO±0.1p	C557	H5	018-11180-10	Cap 0603 1p8 50v NPO±0.1p	C718		018-16100-00	Cap 0603 100n 16v x7r + - 10%	DIG_BCAN		319-01258-00	Shld Can Dgtl TMA
C463		018-16100-00	Cap 0603 100n 16v x7r + - 10%	C557	H7	018-11100-10	Cap 0603 1p0 50v NPO±0.1p	C719		018-15100-00	Cap 0603 10n 50v X7r ±10%	DIG_TCAN		319-01258-00	Shld Can Dgtl TMA
C464		018-13150-00	Cap 0603 150p 50v NPO ±5%	C558		018-13150-00	Cap 0603 150p 50v NPO ±5%	C720		018-15100-00	Cap 0603 10n 50v X7r ±10%	DIRC_TOP		319-01255-00	Shld Can Direc-Coup TMA
C465		018-13150-00	Cap 0603 150p 50v NPO ±5%	C559		018-13150-00	Cap 0603 150p 50v NPO ±5%	C721		018-15100-00	Cap 0603 10n 50v X7r ±10%	FCL_TOP		319-01257-00	Shld Can Frt End TMA
C466		018-13270-00	Cap 0603 270p 50v NPO±5%	C560	H5	018-11150-10	Cap 0603 1p5 50v NPO±0.1p	C722		018-16100-00	Cap 0603 100n 16v x7r + - 10%	FE_TOP		319-01257-00	Shld Can Frt End TMA
C467		018-11100-10	Cap 0603 1p0 50v NPO±0.1p	C560	H7	018-11120-10	Cap 0603 1p2 50v NPO±0.1p	C723		018-13470-00	Cap 0603 470p 50v X7r±10%	H5_BAND		036-12100-10	Res M/F SMD 0805 10e 1%
C468		018-12220-10	Cap 0603 22p 50v NPO ±1%	C561		018-15100-00	Cap 0603 10n 50v X7r ±10%	C724		018-13470-00	Cap 0603 470p 50v X7r±10%	H5_BAND	H5	036-12100-10	Res M/F SMD 0805 10e 1%
C469		018-11270-10	Cap 0603 2p7 50v NPO±0.1p	C562		018-13150-00	Cap 0603 150p 50v NPO ±5%	C725		018-13470-00	Cap 0603 470p 50v X7r±10%	H5_BAND	H7		Not fitted
C470		018-16100-00	Cap 0603 100n 16v x7r + - 10%	C563		018-11680-10	Cap 0603 6p8 50v NPO±0.1p	C726		018-13470-00	Cap 0603 470p 50v X7r±10%	H7_BAND	H5		Not fitted
C471		018-15100-00	Cap 0603 10n 50v X7r ±10%	C564		018-11390-10	Cap 0603 3p9 50v NPO±0.1p	C727		018-13470-00	Cap 0603 470p 50v X7r±10%	H7_BAND	H7	036-12100-10	Res M/F SMD 0805 10e 1%
C472		018-16100-00	Cap 0603 100n 16v x7r + - 10%	C565		013-16100-05	Cap SMD PPS 100n 16v 5% 1210	C728		018-13470-00	Cap 0603 470p 50v X7r±10%	HS300		316-85137-01	Plate Copper Heat TMA
C473		018-16100-00	Cap 0603 100n 16v x7r + - 10%	C566		018-13150-00	Cap 0603 150p 50v NPO ±5%	C729		018-13470-00	Cap 0603 470p 50v X7r±10%	HS301		316-85144-00	Plate Copper Heat TMAH
C474		018-16100-00	Cap 0603 100n 16v x7r + - 10%	C567		018-12100-10	Cap 0603 10p 50v NPO±0.1	C730		018-13470-00	Cap 0603 470p 50v X7r±10%	IC200	Mini-UHF	002-15468-23	IC DPOT MAX5468 10K 32-T SOT23
C5004	H5	018-11180-10	Cap 0603 1p8 50v NPO±0.1p	C568		018-13150-00	Cap 0603 150p 50v NPO ±5%	C731		018-13470-00	Cap 0603 470p 50v X7r±10%				
C5004	H7	018-11100-10	Cap 0603 1p0 50v NPO±0.1p	C569		018-13150-00	Cap 0603 150p 50v NPO ±5%	C732		018-13470-00	Cap 0603 470p 50v X7r±10%	IC201		002-20103-24	IC BA10324 4x Op Amp Ssop-14
C5005	H5		Not fitted	C570		018-13150-00	Cap 0603 150p 50v NPO ±5%	C733		015-26100-08	Cap Cer 0805 100n 10% X7r 50v	IC202		002-10151-90	IC SMD TDA1519C 2x11w Aud Pwr
C5005	H7	018-11180-10	Cap 0603 1p8 50v NPO±0.1p	C571		018-14470-00	Cap 0603 4n7 50v X7r±10%	CDC_BOT		319-01208-02	Shld Synth/If T/Orc	IC203		002-16236-70	IC M62367GP 8bit 8ch D-A Ssop
C5006		018-14100-00	Cap 0603 1n 50v X7r ±10%	C572	H5	018-11680-10	Cap 0603 6p8 50v NPO±0.1p	CDC_TOP		319-01208-02	Shld Synth/If T/Orc	IC204		002-10065-21	IC AD6521ACA Dual Codec
C500		018-15470-00	Cap 0603 47n 16v X7r±10%	C572	H7	018-11470-10	Cap 0603 4p7 50v NPO±0.1p	D301		001-10099-01	Diode BAV99w Dual Ss	IC205		002-10045-50	IC SMD AK4550VT Codec Tssop-16
C501		018-16100-00	Cap 0603 100n 16v x7r + - 10%	C573		018-11560-10	Cap 0603 5p6 50v NPO±0.1p	D303		001-10841-10	Diode SMD BZX84C11v ZEN SOT23	IC301		002-20103-24	IC BA10324 4x Op Amp Ssop-14
C502		018-16100-00	Cap 0603 100n 16v x7r + - 10%	C574		018-15100-00	Cap 0603 10n 50v X7r ±10%	D304		001-10070-07	Diode BAS70-07w Dualsch SOT343	IC303		002-20103-24	IC BA10324 4x Op Amp Ssop-14
C503		018-16100-00	Cap 0603 100n 16v x7r + - 10%	C575	H5	018-11120-10	Cap 0603 1p2 50v NPO±0.1p	D305		001-10070-07	Diode BAS70-07w Dualsch SOT343	IC400		002-10266-70	IC SMD RF2667 Quad Demod Q-Sop
C504		014-07470-05	Cap Tant SMD 4u7 16v 10% A	C575	H7	018-11150-10	Cap 0603 1p5 50v NPO±0.1p	D310		001-10012-50	Diode SMD MA4P1250 Pin3x2mm	IC403		002-10160-10	IC SMD LMX1601 Dual PII Tssop
C505		015-27100-10	Cap Cer 0805 1m+80-20% Y5v 16v	C576		018-13150-00	Cap 0603 150p 50v NPO ±5%	D311		001-10070-01	Diode BAV70W Dual Ss SOT323	IC500		002-74910-41	IC SMD 74V1G04 Inverter Sc70
C506		018-16100-00	Cap 0603 100n 16v x7r + - 10%	C577		018-14470-00	Cap 0603 4n7 50v X7r±10%	D3507		001-10012-50	Diode SMD MA4P1250 Pin3x2mm	IC501		002-74916-60	IC SMD 74HC1G66 Bilat Sw Sc70
C507		018-15100-00	Cap 0603 10n 50v X7r ±10%	C578	H5	018-11050-10	Cap 0603 0p5 50v NPO ±0.1p	D400		001-10099-01	Diode BAV99w Dual Ss	IC502		002-10072-20	IC LMV722 2XOPAMP L/Noise Msp
C508		018-13150-00	Cap 0603 150p 50v NPO ±5%	C578	H7	018-11100-10	Cap 0603 1p0 50v NPO±0.1p	D401		001-10057-02	Diode SMD BBY57-02v Vcap Sc-79	IC503		002-14111-00	IC SMD ADF4111BRU PLL Tssop16
C509		018-15100-00	Cap 0603 10n 50v X7r ±10%	C579		014-07470-05	Cap Tant SMD 4u7 16v 10% A	D402		001-10057-02	Diode SMD BBY57-02v Vcap Sc-79	IC504		002-10040-66	IC MC14066 2x Bilat Sw S014
C5100		018-13150-00	Cap 0603 150p 50v NPO ±5%	C580		018-13150-00	Cap 0603 100n 16v x7r + - 10%	D403		001-10057-02	Diode SMD BBY57-02v Vcap Sc-79	IC505		002-10227-21	IC SMD TLC2272CPW 0-amp
C5102		018-13150-00	Cap 0603 150p 50v NPO ±5%	C581		018-13150-00	Cap 0603 150p 50v NPO ±5%	D404		001-10057-02	Diode SMD BBY57-02v Vcap Sc-79	IC5100		002-10139-16	IC MBC13916 Cascade Buffer
C510		018-15100-00	Cap 0603 10n 50v X7r ±10%	C582		018-13150-00	Cap 0603 150p 50v NPO ±5%	D405		001-10015-00	Diode SMD BAT15-099R Sch	IC600		002-13823-33	IC TPS3823-33 3V3 Reset/Wdt
C511		018-12390-10	Cap 0603 39p 50v NPO ±1%	C583	H5	018-11680-10	Cap 0603 6p8 50v NPO±0.1p	D501		001-10015-30	Diode SMD Vcap BB153 SOD323	IC601		002-10009-00	IC LF90CPT V/I0 DROp OUT 9VREG
C512		018-12120-10	Cap 0603 12p 50v NPO ±1%	C583	H7	018-11600-10	Cap 0603 6p0 50v NPO±0.1p	D502		001-10005-35	Diode SMD BB535 Vcap SOD323	IC602		002-12674-33	IC SMD LM2674 3V3 .5a Smps S08
C513		018-13150-00	Cap 0603 150p 50v NPO ±5%	C584	H5	018-11180-10	Cap 0603 1p8 50v NPO±0.1p	D503		001-10099-01	Diode BAV99w Dual Ss	IC603		002-10792-30	IC TPS79230 3V0 LDD 100mA Reg
C514		018-12470-10	Cap 0603 47p 50v NPO ±1%	C584	H7	018-11120-10	Cap 0603 1p2 50v NPO±0.1p	D504		001-10005-35	Diode SMD BB535 Vcap SOD323	IC604		002-10792-25	IC TPS79225 2V5 LDD 100mA Reg
C516		018-16100-00	Cap 0603 100n 16v x7r + - 10%	C585		014-07470-05	Cap Tant SMD 4u7 16v 10% A	D505		001-10005-35	Diode SMD BB535 Vcap SOD323	IC605		000-10511-00	Xstr SMD IPS511S MOSFET Switch
C517		018-16100-00	Cap 0603 100n 16v x7r + - 10%	C586	H5	018-11680-10	Cap 0603 6p8 50v NPO±0.1p	D506		001-10005-35	Diode SMD BB535 Vcap SOD323	IC606		002-11126-00	IC Smd LK112M60TR 6V 150mA Reg
C518		018-12100-10	Cap 0603 10p 50v NPO±0.1	C586	H7	018-11600-10	Cap 0603 6p0 50v NPO±0.1p	D507		001-10005-35	Diode SMD BB535 Vcap SOD323	IF_TOP		319-01256-00	Shld Can If TMA
C519		018-13150-00	Cap 0603 150p 50v NPO ±5%	C600		015-07220-35	Cap Cer 1210 2u2 X5R 35v	D508		001-10005-35	Diode SMD BB535 Vcap SOD323	L100		057-10010-20	Ind 0603 Blm11-B102s 0.1a
C520		018-52220-02	Cap 0603 22p 50v Ntc ±2% 12h	C601		018-16100-00	Cap 0603 100n 16v x7r + - 10%	D509		001-10005-35	Diode SMD BB535 Vcap SOD323	L101		057-10010-20	Ind 0603 Blm11-B102s 0.1a
C522		018-12270-10	Cap 0603 27p 50v NPO ±1%	C602		018-16100-00	Cap 0603 100n 16v x7r + - 10%	D510	H5	001-10005-35	Diode SMD BB535 Vcap SOD323	L102		057-10010-20	Ind 0603 Blm11-B102s 0.1a
C523		018-12270-10	Cap 0603 27p 50v NPO ±1%	C603		018-16100-00	Cap 0603 100n 16v x7r + - 10%	D510	H7		Not fitted	L104		057-10081-06	Ind 1806 Blm41p750s Emi Supr
C524		018-12150-10	Cap 0603 15p 50v NPO ±1%	C604		016-09100-07	Cap Elec SMD 100u 35v Loesr	D511	H5	001-10005-35	Diode SMD BB535 Vcap SOD323	L200		057-10010-20	Ind 0603 Blm11-B102s 0.1a
C525		018-13150-00	Cap 0603 150p 50v NPO ±5%	C605		015-26100-08	Cap Cer 0805 100n 10% X7r 50v	D511	H7		Not fitted	L302	H5	059-74680-35	Ind SMD 0603 6.8nh 5% Swi C
C526		018-15100-00	Cap 0603 10n 50v X7r ±10%	C606		015-26100-08	Cap Cer 0805 100n 10% X7r 50v	D600		001-10153-00	Diode SMD SM15T30a TransII Smc	L302	H7	059-14560-00	Ind SMD 0603cs 5.6nh 5%
C527		018-15330-00	Cap 0603 33n 50v X7r10%	C608		018-15100-00	Cap 0603 10n 50v X7r ±10%	D601		001-10070-01	Diode BAV70W Dual Ss SOT323	L303		052-57423-70	Coil A/W SMD 7l/2.3mm .57mm
C528		018-16100-00	Cap 0603 100n 16v x7r + - 10%	C609		018-16100-00	Cap 0603 100n 16v x7r + - 10%	D602		001-10054-02	Diode SMD BAT54AW SOT-323	L306		057-10081-06	Ind 1806 Blm41p750s Emi Supr
C529		018-16100-00	Cap 0603 100n 16v x7r + - 10%	C610		018-16100-00	Cap 0603 100n 16v x7r + - 10%	D603		001-10070-01	Diode BAV70W Dual Ss SOT323	L310		065-10009-20	Bead Fr SMD Bds3/3/8 9-452
C530		018-15100-00	Cap 0603 10n 50v X7r ±10%	C611		014-07470-05	Cap Tant SMD 4u7 16v 10% A	D604		001-10070-01	Diode BAV70W Dual Ss SOT323	L311		152-80040-50	Coil A/W SMDp 5T/4.0mm 0.8mm
C531		015-07470-20	CAP Cer 1206 4u7 10% 25V X7R	C613		014-08100-30	Cap Tant SMD 100u 10v Loesr D	D606		001-10014-03	Diode SMD MBR5140T3 Sch	L315		152-57440-90	Coil A/W SMDp 9T/4.0mm .57mm
C532		018-12330-10	Cap 0603 33p 50v NPO ±1%	C614		018-16100-00	Cap 0603 100n 16v x7r + - 10%	D700							

Parts List

Ref	Var	IPN	Description
L403		059-17180-10	Ind SMD 1008cs 1.8uh 5%
L404		057-10010-20	Ind 0603 Blm11-B102s 0.1a
L405		057-10010-20	Ind 0603 Blm11-B102s 0.1a
L406		059-16120-10	Ind SMD 1008cs 120nh 5%
L407		057-00015-00	Ind Fxd 15nh +-5% 1206 Mur
L408		057-10010-20	Ind 0603 Blm11-B102s 0.1a
L409		057-00015-00	Ind Fxd 15nh +-5% 1206 Mur
L411		056-76820-50	Ind SMD 0805 820nh 10% Ebl
L412		056-76820-50	Ind SMD 0805 820nh 10% Ebl
L414		057-10010-20	Ind 0603 Blm11-B102s 0.1a
L415		059-76560-85	Ind SMD 1008 560nh 5% Swi C
L417		059-76560-85	Ind SMD 1008 560nh 5% Swi C
L419		057-10010-20	Ind 0603 Blm11-B102s 0.1a
L5002		059-16270-00	Ind SMD 0603cs 270nh 5%
L5003		059-15390-00	Ind SMD 0603hs 39nh 5%
L500		059-17470-15	Ind SMD 1008cs 4.7uh 2%
L501		159-77220-35	Ind SMD 0603 2.2uh 10% Smi F
L502		050-10000-40	Coil SMD DC/DC Convt
L503		059-17470-15	Ind SMD 1008cs 4.7uh 2%
L504		059-17470-15	Ind SMD 1008cs 4.7uh 2%
L505		059-17820-10	Ind SMD 1008ls 8.2uh 5%
L506		057-10010-20	Ind 0603 Blm11-B102s 0.1a
L507	H5	059-15150-00	Ind SMD 0603cs 15nh 5%
L507	H7	059-15120-00	Ind SMD 0603hs 12nh 5%
L509		059-16330-05	Ind SMD 0805cs 330nh 5%
L5100	H5	059-15560-00	Ind SMD 0603hs 56nh 5%
L5100	H7	059-15270-00	Ind SMD 0603hs 27nh 5%
L5101	H5	059-16120-00	Ind SMD 0603hs 120nh 5%
L5101	H7	059-76120-35	Ind SMD 0603 120nh 5% Swi C
L510	H5	052-57423-40	Coil A/W SMD 4t/2.3mm .57mm
L510	H7	052-57419-40	Coil A/W SMD 4t/1.9mm .57mm
L513		059-16330-05	Ind SMD 0805cs 330nh 5%
L514		059-16330-05	Ind SMD 0805cs 330nh 5%
L515		059-16330-05	Ind SMD 0805cs 330nh 5%
L516		059-16330-05	Ind SMD 0805cs 330nh 5%
L519		052-57421-40	Coil A/W SMD 4t/2.1mm .57mm
L520		059-16330-05	Ind SMD 0805cs 330nh 5%
L522		059-15150-00	Ind SMD 0603cs 15nh 5%
L600		057-10600-05	Ind 0603 Blm11p600s .5a F/Bead
L601		057-10100-65	Ind SMD Pwr Cdrh6D38 100UH .65
L602		057-10010-45	Ind SMD Pwr CDRH2D18 10UH .43A
L700		057-10010-20	Ind 0603 Blm11-B102s 0.1a
L701		057-10010-20	Ind 0603 Blm11-B102s 0.1a
L702		057-10010-20	Ind 0603 Blm11-B102s 0.1a
L703		057-10010-20	Ind 0603 Blm11-B102s 0.1a
L704		057-10010-20	Ind 0603 Blm11-B102s 0.1a
L706		057-10010-20	Ind 0603 Blm11-B102s 0.1a
L707		057-10010-20	Ind 0603 Blm11-B102s 0.1a
L708		057-10010-20	Ind 0603 Blm11-B102s 0.1a
L709		057-10010-20	Ind 0603 Blm11-B102s 0.1a
L711		057-10010-20	Ind 0603 Blm11-B102s 0.1a
LK1		036-10000-00	Res M/F SMD 0805 0e 0.125w
LK2		036-10000-00	Res M/F SMD 0805 0e 0.125w
LK3		036-10000-00	Res M/F SMD 0805 0e 0.125w
LK5		036-10000-00	Res M/F SMD 0805 0e 0.125w
LK7		036-10000-00	Res M/F SMD 0805 0e 0.125w
LO2_BOT		319-01210-00	Shld Low Pass Fltr T/Orcs
LPF_TOP		319-01251-00	Shld Can Lpf TMA
MCM1		XMABP30	Rmb TMA 40x41 EP1C12x5509
PAD_TOP		319-01254-00	Shld Can Paf TMA
PAF_TOP		319-01253-00	Shld Can Paf TMA
PIN_TOP		319-01252-00	Shld Can Pin Sw TMA
PL100		240-00040-00	Conn 4way Power Male TMAH
Q200		000-10084-72	Xstr BC847BS NPN Dual SOT363
Q201		000-10085-71	Xstr SMD BC857BW PNP SOT323
Q301		000-10084-71	Xstr BC847BW NPN SOT323
Q302		000-10084-73	Xstr BC847BPNNPN/PNP SOT363
Q304		000-10084-71	Xstr BC847BW NPN SOT323
Q305		000-10084-71	Xstr BC847BW NPN SOT323
Q306		000-04000-00	Xstr PD55008 8w 12.5v S010RF
Q307		000-10084-71	Xstr BC847BW NPN SOT323
Q308		000-10084-71	Xstr BC847BW NPN SOT323
Q309		000-10550-35	Xstr PD55035S 35W 12.5v S010RF
Q310		000-10550-35	Xstr PD55035S 35W 12.5v S010RF
Q311		000-10440-50	Xstr SI4405DY PCH Pwr MFET S08
Q312		000-10084-71	Xstr BC847BW NPN SOT323
Q313		000-10084-71	Xstr BC847BW NPN SOT323

Ref	Var	IPN	Description
Q3501		000-10951-00	Xstr SMD PBR951 NPN SOT23
Q3502		000-10951-00	Xstr SMD PBR951 NPN SOT23
Q3504		000-10085-70	Xstr BC856 PNP Dual SOT363
Q3505		000-10005-91	Xstr SMD BFO591 NPN WB SOT89
Q400		000-10085-70	Xstr BC856 PNP Dual SOT363
Q401		000-10036-00	Xstr SMD BFR360F NPN Lo Noise
Q402		000-10084-71	Xstr BC847BW NPN SOT323
Q403		000-10001-71	Xstr RF BFS17W NPN SOT323UHF
Q404		000-10036-00	Xstr SMD BFR360F NPN Lo Noise
Q5001		002-10080-00	IC UPA800T 2x 2sc5008 Xstr
Q500		000-10085-71	Xstr SMD BC857BW PNP SOT323
Q501		000-10001-71	Xstr RF BFS17W NPN SOT323UHF
Q502		000-10084-71	Xstr BC847BW NPN SOT323
Q503		000-10001-71	Xstr RF BFS17W NPN SOT323UHF
Q504		000-10941-00	Xstr SMD PBR941 NPN SOT23
Q505		000-10084-71	Xstr BC847BW NPN SOT323
Q506		000-10085-70	Xstr BC856 PNP Dual SOT363
Q507		000-10084-72	Xstr BC847BS NPN Dual SOT363
Q508		000-10084-72	Xstr BC847BS NPN Dual SOT363
Q5100		000-10001-71	Xstr RF BFS17W NPN SOT323UHF
Q510		000-10941-00	Xstr SMD PBR941 NPN SOT23
Q511		000-10084-73	Xstr BC847BPNNPN/PNP SOT363
Q512		000-10084-71	Xstr BC847BW NPN SOT323
Q600		000-10085-71	Xstr SMD BC857BW PNP SOT323
Q601		000-10084-71	Xstr BC847BW NPN SOT323
Q602		000-10084-71	Xstr BC847BW NPN SOT323
Q603		000-10002-05	Xstr SMD BSH205 P Mos SOT23
Q604		000-10084-71	Xstr BC847BW NPN SOT323
Q605		000-10002-05	Xstr SMD BSH205 P Mos SOT23
Q700		000-10085-71	Xstr SMD BC857BW PNP SOT323
Q701		000-10084-73	Xstr BC847BPNNPN/PNP SOT363
Q702		000-10084-71	Xstr BC847BW NPN SOT323
Q703		000-10084-73	Xstr BC847BPNNPN/PNP SOT363
Q704		000-10084-73	Xstr BC847BPNNPN/PNP SOT363
Q705		000-10084-73	Xstr BC847BPNNPN/PNP SOT363
Q706		000-10084-73	Xstr BC847BPNNPN/PNP SOT363
Q708		000-10085-71	Xstr SMD BC857BW PNP SOT323
Q709		000-10085-71	Xstr SMD BC857BW PNP SOT323
R100		038-14470-00	Res 0603 4k7 1/10w 5%
R101		038-14470-00	Res 0603 4k7 1/10w 5%
R102		038-14220-00	Res 0603 2k2 1/10w 5%
R103		038-14220-00	Res 0603 2k2 1/10w 5%
R104		038-14220-00	Res 0603 2k2 1/10w 5%
R105		038-16100-10	Res 0603 100k 1/10w 1%
R106		038-14470-00	Res 0603 4k7 1/10w 5%
R107		038-14470-00	Res 0603 4k7 1/10w 5%
R108		038-13680-00	Res 0603 680R 1/10w 5%
R109		038-14470-00	Res 0603 4k7 1/10w 5%
R110		038-14470-00	Res 0603 4k7 1/10w 5%
R112		038-10000-00	Res 0603 Zero Ohm 1/16w ± 5%
R199		038-10000-00	Res 0603 Zero Ohm 1/16w ± 5%
R200		038-15470-10	Res 0603 47k 1/10w 1%
R201		038-15470-10	Res 0603 47k 1/10w 1%
R202		038-15470-10	Res 0603 47k 1/10w 1%
R203		038-15470-10	Res 0603 47k 1/10w 1%
R204		038-15470-10	Res 0603 47k 1/10w 1%
R205		038-14560-00	Res 0603 5k6 1/10w 5%
R206		038-14330-00	Res 0603 3k3 1/10w 5%
R207		038-14120-10	Res 0603 1k2 1/10w 1%
R208		038-14120-10	Res 0603 1k2 1/10w 1%
R209		038-14150-00	Res 0603 1k5 1/10w 5%
R210		038-15470-10	Res 0603 47k 1/10w 1%
R211		038-14100-10	Res 0603 1k0 1/10w 1%
R212		038-14470-00	Res 0603 4k7 1/10w 5%
R213		038-10000-00	Res 0603 Zero Ohm 1/16w ± 5%
R214		038-10000-00	Res 0603 Zero Ohm 1/16w ± 5%
R215	BNC	038-10000-00	Res 0603 Zero Ohm 1/16w ± 5%
R216		038-14470-00	Res 0603 4k7 1/10w 5%
R217		038-14150-00	Res 0603 1k5 1/10w 5%
R218		038-14150-00	Res 0603 1k5 1/10w 5%
R219		038-15100-10	Res 0603 10k 1/10w 1%
R220		038-15100-10	Res 0603 10k 1/10w 1%
R221		038-16180-00	Res 0603 180k 1/10w 5%
R222		038-16100-10	Res 0603 100k 1/10w 1%
R223		038-14390-10	Res 0603 3k9 1/10w 1%
R224		038-15150-10	Res 0603 15k 1% WDS
R225		038-12470-00	Res 0603 47R 1/10w 5%

Ref	Var	IPN	Description
R226		038-14220-00	Res 0603 2k2 1/10w 5%
R227		038-14220-00	Res 0603 2k2 1/10w 5%
R228		038-15100-10	Res 0603 10k 1/10w 1%
R229		038-15470-10	Res 0603 47k 1/10w 1%
R230		038-15470-10	Res 0603 47k 1/10w 1%
R231		038-14120-10	Res 0603 1k2 1/10w 1%
R232		038-15470-10	Res 0603 47k 1/10w 1%
R233		038-15470-10	Res 0603 47k 1/10w 1%
R234		038-15470-10	Res 0603 47k 1/10w 1%
R235		038-15470-10	Res 0603 47k 1/10w 1%
R236		038-14100-10	Res 0603 1k0 1/10w 1%
R238		038-14120-10	Res 0603 1k2 1/10w 1%
R239		038-16100-10	Res 0603 100k 1/10w 1%
R240		038-16120-10	Res 0603 120k 1%
R241		038-14470-00	Res 0603 4k7 1/10w 5%
R242		038-14100-10	Res 0603 1k0 1/10w 1%
R243		038-15100-10	Res 0603 10k 1/10w 1%
R245		038-15100-10	Res 0603 10k 1/10w 1%
R246		038-15100-10	Res 0603 10k 1/10w 1%
R247		038-15100-10	Res 0603 10k 1/10w 1%
R249		038-10000-00	Res 0603 Zero Ohm 1/16w ± 5%
R250		038-16100-10	Res 0603 100k 1/10w 1%
R251		038-10000-00	Res 0603 Zero Ohm 1/16w ± 5%
R252		038-12220-00	Res 0603 22e 1/16w ± 5%
R253		038-12220-00	Res 0603 22e 1/16w ± 5%
R3000		038-10000-00	Res 0603 Zero Ohm 1/16w ± 5%
R3070		038-10000-00	Res 0603 Zero Ohm 1/16w ± 5%
R312		038-10000-00	Res 0603 Zero Ohm 1/16w ± 5%
R313		038-16100-10	Res 0603 100k 1/10w 1%
R314		038-15560-10	Res 0603 56k 1%
R315		038-16100-10	Res 0603 100k 1/10w 1%
R318		038-16220-00	Res 0603 220k 1/10w 5%
R321		038-15330-10	Res 0603 33k 1%
R322		038-16220-00	Res 0603 220k 1/10w 5%
R323		038-16100-10	Res 0603 100k 1/10w 1%
R324		038-17100-10	Res 0603 1M 1%
R327		038-15100-10	Res 0603 10k 1/10w 1%
R328		036-12180-00	Res M/F SMD 0805 18e 5%
R331		038-16100-10	Res 0603 100k 1/10w 1%
R333		038-10000-00	Res 0603 Zero Ohm 1/16w ± 5%
R334		038-14100-10	Res 0603 1k0 1/10w 1%
R335		038-11470-00	Res 0603 4e7 1/16w ± 5%
R336		038-15100-10	Res 0603 10k 1/10w 1%
R337		038-11470-00	Res 0603 4e7 1/16w ± 5%
R338		036-12100-10	Res M/F SMD 0805 10e 1%
R339		038-14470-00	Res 0603 4k7 1/10w 5%
R340		038-14330-00	Res 0603 3k3 1/10w 5%
R341		038-14330-00	Res 0603 3k3 1/10w 5%
R342		038-17221-10	Res 0603 2M21 1/10w 1%
R343		036-11470-00	Res M/F SMD 0805 4e7 5%
R345		038-10000-00	Res 0603 Zero Ohm 1/16w ± 5%
R346		038-14220-00	Res 0603 2k2 1/10w 5%
R347		038-16100-10	Res 0603 100k 1/10w 1%
R348		036-02200-03	Res 1218 20e 5% 1w PRC201
R3501		038-12330-00	Res 0603 33e 1/16w ± 5%
R3502		038-12390-10	Res 0603 39R0 1/10w 1%
R3503		038-10000-00	Res 0603 Zero Ohm 1/16w ± 5%
R3504		038-13680-00	Res 0603 680R 1/10w 5%
R3505		038-14270-00	Res 0603 2k7 1/10w 5%
R3506		036-13330-10	Res M/F SMD 0805 330e 1%
R3507		038-12180-00	Res 0603 18e 1/16w ± 5%

Parts List

Ref	Var	IPN	Description
R427		038-14150-00	Res 0603 1k5 1/10w 5%
R428		038-13390-10	Res 0603 390R 1/10w 1%
R429		038-14220-00	Res 0603 2k2 1/10w 5%
R430		038-15390-10	Res 0603 39k2 1%
R431		038-17100-10	Res 0603 1M 1%
R432		038-17100-10	Res 0603 1M 1%
R433		038-14120-10	Res 0603 1k2 1/10w 1%
R434		038-15270-00	Res 0603 27k 1/10w 5%
R435		038-13470-00	Res 0603 470R 1/10w 5%
R436		038-13560-10	Res 0603 560R 1/10w 1%
R437		038-15100-10	Res 0603 10k 1/10w 1%
R5005		038-13180-10	Res 0603 180R 1/10w 1%
R5006	H5	038-14150-00	Res 0603 1k5 1/10w 5%
R5006	H7	038-14220-00	Res 0603 2k2 1/10w 5%
R5007	H5	038-14100-10	Res 0603 1k0 1/10w 1%
R5007	H7	038-14120-10	Res 0603 1k2 1/10w 1%
R5008	H5	038-14100-10	Res 0603 1k0 1/10w 1%
R5008	H7	038-14120-10	Res 0603 1k2 1/10w 1%
R500		038-16100-10	Res 0603 100k 1/10w 1%
R5010		038-15100-10	Res 0603 10k 1/10w 1%
R5011		038-15220-10	Res 0603 22k 1%
R5012		038-14220-00	Res 0603 2k2 1/10w 5%
R5014		038-15100-10	Res 0603 10k 1/10w 1%
R501		038-12220-00	Res 0603 22e 1/16w ± 5%
R502		038-16100-10	Res 0603 100k 1/10w 1%
R503		038-12220-00	Res 0603 22e 1/16w ± 5%
R504		038-16150-10	Res 0603 150k 1%
R505		038-13100-10	Res 0603 100R 1/10w 1%
R506		038-13820-00	Res 0603 820R 1/10w 5%
R507		038-12470-00	Res 0603 47R 1/10w 5%
R508		038-15100-10	Res 0603 10k 1/10w 1%
R509		038-12470-00	Res 0603 47R 1/10w 5%
R5100		038-13390-10	Res 0603 390R 1/10w 1%
R5101		038-14220-00	Res 0603 2k2 1/10w 5%
R5102		038-15150-10	Res 0603 15k 1% WDS
R5103		038-14820-00	Res 0603 8k2 1/10w 5%
R510		038-13390-10	Res 0603 390R 1/10w 1%
R511		038-16100-10	Res 0603 100k 1/10w 1%
R512		038-12180-00	Res 0603 18e 1/16w ± 5%
R513		038-10000-00	Res 0603 Zero Ohm 1/16w ± 5%
R514		038-15100-10	Res 0603 10k 1/10w 1%
R515		038-15100-10	Res 0603 10k 1/10w 1%
R517		038-15560-10	Res 0603 56k 1%
R518		038-15100-10	Res 0603 10k 1/10w 1%
R519		038-12470-00	Res 0603 47R 1/10w 5%
R520		038-12470-00	Res 0603 47R 1/10w 5%
R521		038-15100-10	Res 0603 10k 1/10w 1%
R522		038-12560-00	Res 0603 56R 1/10w 5%
R523		038-16100-10	Res 0603 100k 1/10w 1%
R524		038-15560-10	Res 0603 56k 1%
R525		038-12470-00	Res 0603 47R 1/10w 5%
R526		038-14100-10	Res 0603 1k0 1/10w 1%
R527		038-15330-10	Res 0603 33k 1%
R528		038-13470-00	Res 0603 470R 1/10w 5%
R529		038-16100-10	Res 0603 100k 1/10w 1%
R530		038-13100-10	Res 0603 100R 1/10w 1%
R531		038-13820-00	Res 0603 820R 1/10w 5%
R532		038-14100-10	Res 0603 1k0 1/10w 1%
R533		038-12220-00	Res 0603 22e 1/16w ± 5%
R534		038-15100-10	Res 0603 10k 1/10w 1%
R535		038-15100-10	Res 0603 10k 1/10w 1%
R536		038-16100-10	Res 0603 100k 1/10w 1%
R537		038-16105-10	Res 0603 105k 1/10w 1%
R538		038-16100-10	Res 0603 100k 1/10w 1%
R539		038-15100-10	Res 0603 10k 1/10w 1%
R540		038-12470-00	Res 0603 47R 1/10w 5%
R541		038-13560-10	Res 0603 560R 1/10w 1%
R542		038-10000-00	Res 0603 Zero Ohm 1/16w ± 5%
R543		038-12470-00	Res 0603 47R 1/10w 5%
R544		038-12470-00	Res 0603 47R 1/10w 5%
R545		038-15180-00	Res 0603 18k 1/10w 5%
R546		038-15180-00	Res 0603 18k 1/10w 5%
R547		038-13270-10	Res 0603 270R 1/10w 1%
R548		038-12220-00	Res 0603 22e 1/16w ± 5%
R549		038-12220-00	Res 0603 22e 1/16w ± 5%
R550		038-15180-00	Res 0603 18k 1/10w 5%
R551		038-14270-00	Res 0603 2k7 1/10w 5%

Ref	Var	IPN	Description
R552		038-15120-10	Res 0603 12k 1/10w 1%
R554	H5	038-14150-00	Res 0603 1k5 1/10w 5%
R554	H7	038-14180-00	Res 0603 1k8 1/10w 5%
R555		038-16100-10	Res 0603 100k 1/10w 1%
R556	H5	038-14680-10	Res 0603 6k8 1/10w 1%
R556	H7	038-14820-00	Res 0603 8k2 1/10w 5%
R557		038-14220-00	Res 0603 2k2 1/10w 5%
R558		038-14470-00	Res 0603 4k7 1/10w 5%
R559		038-14220-00	Res 0603 2k2 1/10w 5%
R560		038-14220-00	Res 0603 2k2 1/10w 5%
R561		038-12220-00	Res 0603 22e 1/16w ± 5%
R562		038-12470-00	Res 0603 47R 1/10w 5%
R563		038-12330-20	Res 0603 33R0 1/10w 0.5%
R564		038-13330-00	Res 0603 330R 1/10w 5%
R565		038-14180-00	Res 0603 1k8 1/10w 5%
R566		038-15270-20	Res 0603 27k 0.5%
R567		038-12220-00	Res 0603 22e 1/16w ± 5%
R568		038-14330-00	Res 0603 3k3 1/10w 5%
R569		038-16100-10	Res 0603 100k 1/10w 1%
R570		038-15270-20	Res 0603 27k 0.5%
R571		038-13390-10	Res 0603 390R 1/10w 1%
R572		038-12220-00	Res 0603 22e 1/16w ± 5%
R573		038-12330-20	Res 0603 33R0 1/10w 0.5%
R574		038-13470-00	Res 0603 470R 1/10w 5%
R575		038-12220-00	Res 0603 22e 1/16w ± 5%
R576		038-12220-00	Res 0603 22e 1/16w ± 5%
R577		038-12220-00	Res 0603 22e 1/16w ± 5%
R578		038-13470-00	Res 0603 470R 1/10w 5%
R579		038-14470-00	Res 0603 4k7 1/10w 5%
R580		038-12220-00	Res 0603 22e 1/16w ± 5%
R581		038-14560-00	Res 0603 5k6 1/10w 5%
R582		038-14560-00	Res 0603 5k6 1/10w 5%
R583		038-12220-00	Res 0603 22e 1/16w ± 5%
R584	H5	038-13330-00	Res 0603 330R 1/10w 5%
R584	H7	038-13390-10	Res 0603 390R 1/10w 1%
R585		038-12220-00	Res 0603 22e 1/16w ± 5%
R587		038-12220-00	Res 0603 22e 1/16w ± 5%
R588		038-12470-00	Res 0603 47R 1/10w 5%
R590		038-14470-00	Res 0603 4k7 1/10w 5%
R591		038-14220-00	Res 0603 2k2 1/10w 5%
R592		038-14470-00	Res 0603 4k7 1/10w 5%
R593		038-14560-00	Res 0603 5k6 1/10w 5%
R594		038-14270-00	Res 0603 2k7 1/10w 5%
R598		038-14270-00	Res 0603 2k7 1/10w 5%
R600		038-15330-10	Res 0603 33k 1%
R601		038-15330-10	Res 0603 33k 1%
R602	H5	038-10000-00	Res 0603 Zero Ohm 1/16w ± 5%
R602	H7		Not fitted
R603		038-14100-10	Res 0603 1k0 1/10w 1%
R604		038-13270-10	Res 0603 270R 1/10w 1%
R605		038-15470-10	Res 0603 47k 1/10w 1%
R607		038-15100-10	Res 0603 10k 1/10w 1%
R610		038-15120-10	Res 0603 12k 1/10w 1%
R611		038-11470-00	Res 0603 4e7 1/16W ± 5%
R612		038-10000-00	Res 0603 Zero Ohm 1/16w ± 5%
R614		038-10000-00	Res 0603 Zero Ohm 1/16w ± 5%
R615		038-15470-10	Res 0603 47k 1/10w 1%
R616		038-15470-10	Res 0603 47k 1/10w 1%
R617		038-15470-10	Res 0603 47k 1/10w 1%
R619		038-15470-10	Res 0603 47k 1/10w 1%
R620		038-16100-10	Res 0603 100k 1/10w 1%
R624		038-15470-10	Res 0603 47k 1/10w 1%
R626		038-15470-10	Res 0603 47k 1/10w 1%
R627		038-15470-10	Res 0603 47k 1/10w 1%
R628		038-16100-10	Res 0603 100k 1/10w 1%
R629		038-16100-10	Res 0603 100k 1/10w 1%
R630		038-15470-10	Res 0603 47k 1/10w 1%
R700		038-12470-00	Res 0603 47R 1/10w 5%
R701		038-14100-10	Res 0603 1k0 1/10w 1%
R702		038-16100-10	Res 0603 100k 1/10w 1%
R703		038-15100-10	Res 0603 10k 1/10w 1%
R704		038-16100-10	Res 0603 100k 1/10w 1%
R705		038-14470-00	Res 0603 4k7 1/10w 5%
R706		038-15470-10	Res 0603 47k 1/10w 1%
R707		038-14470-00	Res 0603 4k7 1/10w 5%
R708		038-15220-10	Res 0603 22k 1%
R709		038-15470-10	Res 0603 47k 1/10w 1%

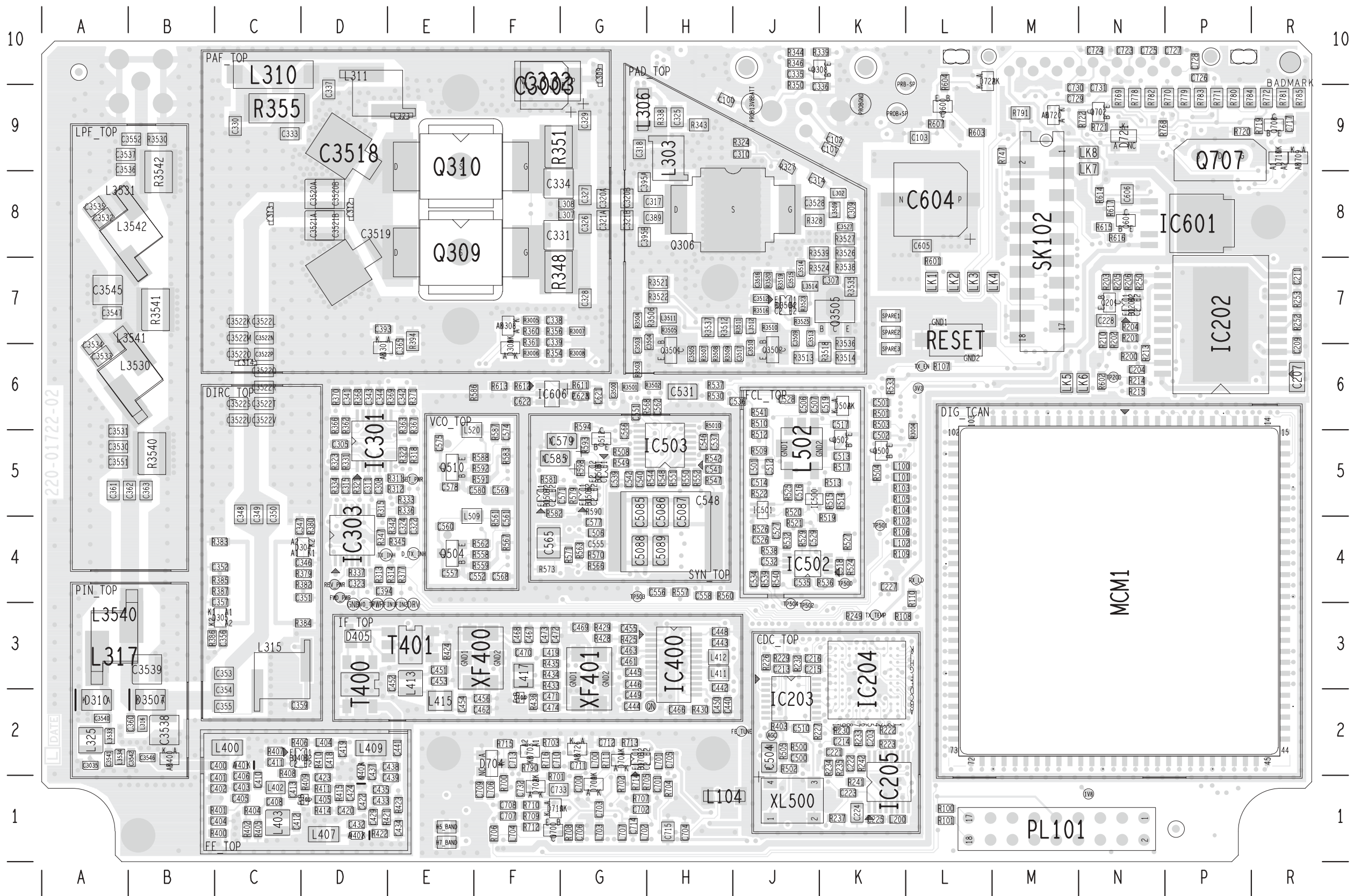
Ref	Var	IPN	Description
R710		038-15470-10	Res 0603 47k 1/10w 1%
R711		038-15470-10	Res 0603 47k 1/10w 1%
R712		038-14470-00	Res 0603 4k7 1/10w 5%
R713		038-15330-10	Res 0603 33k 1%
R714		038-12560-00	Res 0603 56R 1/10w 5%
R715		038-13820-00	Res 0603 820R 1/10w 5%
R716		038-15100-10	Res 0603 10k 1/10w 1%
R717		038-15470-10	Res 0603 47k 1/10w 1%
R718		038-15100-10	Res 0603 10k 1/10w 1%
R719		038-14560-00	Res 0603 5k6 1/10w 5%
R720		038-15100-10	Res 0603 10k 1/10w 1%
R721		038-15470-10	Res 0603 47k 1/10w 1%
R722		038-13560-10	Res 0603 560R 1/10w 1%
R723		038-15330-10	Res 0603 33k 1%
R724		038-15330-10	Res 0603 33k 1%
R725		038-15330-10	Res 0603 33k 1%
R726		038-15330-10	Res 0603 33k 1%
R727		038-15330-10	Res 0603 33k 1%
R728		038-15330-10	Res 0603 33k 1%
R729		038-15330-10	Res 0603 33k 1%
R730		038-15330-10	Res 0603 33k 1%
R731		038-14100-10	Res 0603 1k0 1/10w 1%
R732		038-14100-10	Res 0603 1k0 1/10w 1%
R733		038-14100-10	Res 0603 1k0 1/10w 1%
R734		038-14100-10	Res 0603 1k0 1/10w 1%
R735		038-14100-10	Res 0603 1k0 1/10w 1%
R736		038-14100-10	Res 0603 1k0 1/10w 1%
R737		038-14100-10	Res 0603 1k0 1/10w 1%
R738		038-14100-10	Res 0603 1k0 1/10w 1%
R739		038-14100-10	Res 0603 1k0 1/10w 1%
R740		038-16100-10	Res 0603 100k 1/10w 1%
R741		038-16100-10	Res 0603 100k 1/10w 1%
R742		038-16100-10	Res 0603 100k 1/10w 1%
R743		038-14100-10	Res 0603 1k0 1/10w 1%
R744		038-12470-00	Res 0603 47R 1/10w 5%
R745		038-16100-10	Res 0603 100k 1/10w 1%
R746		038-15100-10	Res 0603 10k 1/10w 1%
R747		038-10000-00	Res 0603 Zero Ohm 1/16w ± 5%
R748		038-14470-00	Res 0603 4k7 1/10w 5%
R749		038-14470-00	Res 0603 4k7 1/10w 5%
R750		038-14470-00	Res 0603 4k7 1/10w 5%
R751		038-14470-00	Res 0603 4k7 1/10w 5%
R753		038-14470-00	Res 0603 4k7 1/10w 5%
R754		038-14470-00	Res 0603 4k7 1/10w 5%
R755		038-14470-00	Res 0603 4k7 1/10w 5%
R756		038-14470-00	Res 0603 4k7 1/10w 5%
R757		038-15470-10	Res 0603 47k 1/10w 1%
R758		038-15470-10	Res 0603 47k 1/10w 1%
R759		038-15470-10	Res 0603 47k 1/10w 1%
R760		038-15470-10	Res 0603 47k 1/10w 1%
R761		038-12560-00	Res 0603 56R 1/10w 5%
R762		038-12560-00	Res 0603 56R 1/10w 5%
R763		038-12560-00	Res 0603 56R 1/10w 5%
R764		038-12560-00	Res 0603 56R 1/10w 5%
R765		038-15470-10	Res 0603 47k 1/10w 1%
R766		038-15470-10	Res 0603 47k 1/10w 1%
R767		038-15470-10	Res 0603 47k 1/10w 1%
R768		038-10000-00	Res 0603 Zero Ohm 1/16w ± 5%
R769		036-15330-10	Res M/F SMD 0805 33k 1%
R770		036-15330	

Ref	PCB	Circuit	Ref	PCB	Circuit	Ref	PCB	Circuit	Ref	PCB	Circuit	Ref	PCB	Circuit	Ref	PCB	Circuit	Ref	PCB	Circuit	Ref	PCB	Circuit
1V8	1:N1	1-H7	C332	1:F10	3-F5	C359	1:C2	3-F10	C465	2:H3	4-C12	C556	1:H4	5-J9	C724	1:N10	7-D13	D716	2:P9	7-F12	IF_TOP	1:F3	4-A8
3V3	1:L6	1-B11	C333	1:C9	3-F5	C360	1:B2	3-E11	C466	1:H2	4-B12	C557	1:E4	5-E9	C725	1:N10	7-H13	D717	2:P9	7-E12	L100	1:K5	1-D8
9V0	2:K4	1-C11	C334	1:F8	3-D6	C361	1:A5	3-E12	C467	1:F3	4-G12	C558	1:H4	5-J9	C726	1:P10	7-G13	D718	2:N9	7-D11	L101	1:K5	1-D8
9V0_TX	1:D3	3-J1	C335	1:J10	3-G5	C362	1:B5	3-E12	C468	1:F3	4-G12	C559	2:F5	5-D9	C727	1:P10	7-F13	D719	1:F1	7-B2	L102	1:K4	1-D8
AGC	1:J2	1-H12	C336	1:K9	3-G5	C363	1:R5	3-E12	C469	1:G3	4-D12	C560	1:E4	5-E9	C728	1:P10	7-E13			7-B1	L104	1:H1	1-B1
C1	2:E3	1-E12	C337	1:D9	3-F5	C365	1:E6	3-H12	C470	1:F3	4-G13	C561	1:F4	5-E9	C729	1:M9	7-K13	D720	1:M9	7-K12	L200	1:K1	2-E12
C100	1:H9	1-J1	C338	1:F7	3-C6	C388	2:D4	3-J5	C471	1:F2	4-G13	C562	1:H6	5-J10	C730	1:M9	7-J13	D721	1:N9	7-H5	L302	1:K8	3-D2
C101	1:K9	1-J1	C339	1:F7	3-B6	C389	1:H8	3-E3	C472	1:F3	4-H14	C563	2:E4	5-E10	C731	1:N9	7-J13	D722	1:L10	7-J12	L303	1:H9	3-E3
C102	1:K9	1-J2	C340	2:G10	3-F3	C391	2:D4	3-G7	C473	1:F3	4-H14	C564	2:F5	5-D10	C732	1:F1	7-B3	D723	2:M9	7-J12	L306	1:G9	3-F3
C103	1:L9	1-J2	C341	1:D6	3-C7	C392	2:D4	3-B13	C474	1:F2	4-G14	C565	1:F4	5-F10	C733	1:F1	7-A7	D724	2:M9	7-D11	L307	1:G8	3-E5
C104	2:N2	1-G4	C342	1:E6	3-B7	C393	1:D7	3-H13	C476	2:C2	4-H2	C566	1:G5	5-J10	CDC_BOT	2:K2	2-A7	D725	2:N9	7-D12	L308	1:G8	3-E5
C105	2:N2	1-G4	C343	1:D6	3-C7	C394	1:D4	3-J1	C5004	2:G6	5-C13	C567	2:G5	5-B11	CDC_TOP	1:K2	2-A6	D726	2:N9	7-D12	L309	1:G10	3-F4
C106	2:P2	1-G4	C344	1:D6	3-B7	C395A	1:G8	3-E3	C5005	2:G6	5-C13	C568	1:F4	5-D11	D301	1:D6	3-H11			7-C3	L310	1:C10	3-F5
C107	2:M2	1-J5	C345	2:D4	3-H7	C395B	1:G8	3-E3	C5006	2:F5	5-C12	C569	1:F5	5-D11			3-H12	DIG_BCAN	2:N4	1-A7	L311	1:D9	3-F5
C108	2:M2	1-H5	C346	1:D4	3-F9	C400	1:C2	4-G1	C500	1:J2	5-J1	C570	2:G5	5-B11	D303	2:H9	3-G4	DIG_TCAN	1:N4	1-A6	L312	1:D8	3-E6
C109	2:M2	1-H5	C347	1:C4	3-F9	C401	1:C1	4-G1	C501	1:K6	5-B1	C571	1:G5	5-F11	D304	1:D4	3-F9	DIRC_TOP	1:C4	3-C14	L313	1:C8	3-E7
C110	2:L2	1-H5	C348	1:C5	3-E9	C402	1:C1	4-G2	C502	1:K5	5-B1	C572	2:E5	5-E12	D305	1:C3	3-C11	DRV	1:E3	3-H1	L314	1:C6	3-E9
C114	2:J9	1-J2	C349	1:C5	3-E9	C403	1:C1	4-G2	C503	2:J4	5-E1	C573	2:F6	5-D12			3-D10	D_TX_INH	1:E4	3-B10	L315	1:C3	3-E10
C115	2:J9	1-J2	C3500	1:G6	3-D1	C404	1:C1	4-H2	C504	1:J2	5-J2	C574	1:F5	5-E12	D306	2:D4	3-B12	FCL_TOP	1:J5	5-A9	L316	1:B2	3-E10
C201	2:N6	2-F3	C3503	1:G6	3-C1	C405	1:C1	4-G2	C505	2:J5	5-E1	C575	1:E5	5-E12			3-C12	FE_TOP	1:D1	4-A7	L317	1:A3	3-D11
C202	2:K2	2-H3	C3504	1:H7	3-C2	C406	1:C1	4-F3	C506	1:J6	5-B2	C576	2:F6	5-D13	D308	1:F7	3-C6	FE_TUNE	1:J2	1-H12	L323	1:E9	3-E5
C203	1:K2	2-G5	C3505	1:H6	3-C1	C408	1:C1	4-G4	C507	1:J6	5-B2	C577	1:G4	5-F13	D309	1:F6	3-B6	FIN1	1:E3	3-C9	L325	1:A2	3-C12
C204	1:N6	2-D3	C3509	1:J7	3-B3	C409	2:G2	4-D4	C5085	1:G5	5-G8	C578	1:E5	5-E13	D310	1:A2	3-D12	FIN2	1:E3	3-B10	L3509	1:K8	3-D2
C205	2:M6	2-E4	C350	1:C5	3-E9	C410	1:C1	4-G4	C5086	1:H5	5-G8	C579	1:G5	5-G7	D311	2:E4	3-B10	FWD_PWR	1:D4	3-G9	L3511	1:H7	3-C2
C206	2:K1	2-G4	C3510	1:J6	3-C3	C411	1:C2	4-G4	C5087	1:H5	5-F8	C580	1:F5	5-D13			3-B10	GND	1:D3	3-J1	L3512	1:J7	3-C2
C207	1:R6	2-D4	C3512	1:J7	3-B4	C412	1:C1	4-G4	C5088	1:G4	5-F8	C581	2:G5	5-B14	D3507	1:B2	3-E11	H5_BAND	1:E1	1-C14	L3514	1:J7	3-B4
C208	2:K2	2-H5	C3513	1:J7	3-A4	C413	1:C1	4-G4	C5089	1:H4	5-F8	C582	2:F5	5-C14	D400	1:B2	4-G1	H7_BAND	1:E1	1-B14	L3530	1:B6	3-E13
C209	1:R6	2-C5	C3514	1:J7	3-B4	C414	2:G3	4-D4	C508	2:J4	5-E2	C583	2:G5	5-B14	D401	1:C2	4-F2	HS300	2:E9	3-D14	L3531	1:B8	3-E13
C210	2:K1	2-H5	C3515	1:J7	3-B5	C415	2:G3	4-C4	C509	2:J4	5-D2	C584	2:G6	5-B14	D402	1:D1	4-F6	HS301	2:D8	3-C13	L3533	1:A2	3-D12
C211	1:R7	2-C5	C3516	1:J7	3-C5	C416	2:G3	4-D5	C5100	2:G4	5-C7	C585	1:F5	5-G14	D403	1:D2	4-F7	IC200	2:M6	2-E3	L3534	1:A2	3-D13
C212	2:K1	2-E5	C3517	1:J6	3-B2	C417	2:G3	4-C5	C5102	2:G4	5-C8	C586	2:G5	5-B14	D404	2:H3	4-C5	IC201	2:K1	2-G3	L3540	1:A3	3-D12
C213	1:J3	2-F8	C3518	1:D9	3-E6	C418	1:D2	4-H5	C5103	2:F4	5-C9	C600	2:K9	6-E3	D405	1:D3	4-G9			2-E4	L3541	1:B6	3-E13
C214	1:K2	2-F8	C3519	1:D7	3-D6	C419	1:D2	4-H5	C510	1:J2	5-J2	C601	2:N7	6-D3	D501	2:K4	5-D3			2-H5	L3542	1:B8	3-E13
C215	1:J3	2-F9	C351	1:D4	3-F9	C420	1:D1	4-G5	C511	2:J4	5-E2	C602	2:N6	6-B3	D502	2:K4	5-D3			2-A8	L400	1:C2	4-F2
C216	1:J3	2-F9	C3520A	1:D8	3-E7	C421	2:H3	4-C5	C512	1:J5	5-H2	C603	2:L7	6-E7	D503	1:K6	5-B4			2-F11	L401	2:F3	4-D4
C217	2:K2	2-G9	C3520B	1:D8	3-E7	C422	1:D1	4-G6	C513	1:K5	5-C3	C604	1:L8	6-E4	D504	2:F4	5-D10			2-F11	L402	1:C1	4-G4
C218	2:J2	2-C9	C3521A	1:D8	3-E6	C423	1:D1	4-H6	C514	1:J5	5-H3	C605	1:N8	6-E5	D505	2:F4	5-D10	IC202	1:P7	2-C4	L403	1:C1	4-G4
C219	2:K3	2-J10	C3521B	1:D8	3-E7	C424	1:D1	4-G6	C516	1:J5	5-J3	C606	1:N8	6-G5	D506	2:F4	5-D10	IC203	1:J2	2-D8	L404	1:D2	4-H5
C220	2:K2	2-J10	C3522V	1:C6	3-E8	C425	2:H3	4-C6	C517	1:K6	5-B3	C608	2:L8	6-E6	D507	2:F4	5-D10	IC204	1:K3	2-G10	L405	1:D1	4-H5
C221	1:K2	2-F8	C3522R	1:C6	3-E7	C426	2:F3	4-E6	C518	1:K4	5-G3	C609	2:J3	6-D6	D508	2:F5	5-D11	IC205	1:K1	2-D12	L406	2:G3	4-D5
C222	1:K2	2-C11	C3522P	1:C6	3-E8	C427	2:H3	4-D6	C519	1:K6	5-B3	C610	2:K3	6-C6	D508	2:F5	5-D11	IC301	1:D5	3-H2	L407	1:D1	4-F6
C223	1:K1	2-D12	C3522K	1:C7	3-E7	C428	2:H3	4-C6	C520	2:J5	5-E4	C611	2:N8	6-G7	D509	2:F5	5-D11			3-C7	L408	2:F3	4-E6
C224	1:K1	2-D12	C3522N	1:C7	3-E8	C429	1:D1	4-G6	C521	2:J5	5-D4	C612	2:L6	6-E7	D510	2:F5	5-D11			3-G1	L409	1:D2	4-F7
C225	1:K1	2-E13	C3522M	1:C7	3-E8	C430	2:F3	4-E6	C522	2:K4	5-D4	C613	2:L7	6-E7	D600	2:J8	6-G2			3-B7	L411	1:H3	4-C8
C226	2:K2	2-G7	C3522U	1:C6	3-E8	C431	2:F3	4-D6	C523	2:J4	5-C4	C614	2:J2	6-D7	D601	2:N7	6-E3			3-J3	L412	1:H3	4-C8
C227	1:K4	2-G7	C3522S	1:C6	3-E8	C432	1:D1	4-F7	C524	2:J5	5-E4	C615	2:K3	6-B7			6-D3	IC303	1:D4	3-G8	L413	1:E3	4-G10
C228	1:N7	2-D5	C3522O	1:C6	3-E8	C433	1:D1	4-G7	C525	2:J5	5-E4	C616	2:J3	6-D8	D602	2:M7	6-D5			3-G7	L414	2:H3	4-D10
C230	2:N6	2-F3	C3522L	1:C7	3-E7	C434	1:E1	4-H7	C526	1:J4	5-H4	C617	2:K3	6-C8			6-E5			3-H7	L415	1:E2	4-G11
C231	2:M6	2-E4	C3522T	1:C6	3-E8	C435	1:D1	4-G7	C527	1:J4	5-H4	C618	2:L6	6-E8			6-E5			3-H4	L417	1:F3	4-G13
C3000	2:D4	3-B11	C3522Q	1:C6	3-E7	C436	2:H3	4-D7	C528	1:J6	5-B4	C619	2:F3	6-C8	D603	2:N7	6-D3			3-H4	L419	1:F3	4-H14
C3003	1:F9	3-F4	C3527	1:K8	3-D2	C437	1:D2	4-F7	C529	1:J4	5-G4	C620	2:F3	6-C8	D604	2:N6	6-C3			3-B11	L5002	2:G5	5-C12
C3035	1:A2	3-C12	C3528	1:J8	3-D2	C438	1:E2	4-G8	C530	2:J5	5-F5	C621	1:G6	6-C4	D606	2:L8	6-E6	IC400	1:H3	4-C10	L5003	2:G6	5-C13
C305	1:D5	3-G1	C352	1:C4	3-C10	C439	1:E1	4-G8	C531	1:H6	5-B5	C622	1:F6	6-C5	D700	1:G1	7-J2	IC403	2:G3	4-C4	L500	2:J4	5-E2
C307	1:K7	3-B5	C3530	1:A5	3-E12	C440	1:H2	4-C8	C532	1:J4	5-H5	C623	1:G6	6-C5	D701	1:G2	7-J3	IC500	1:J5	5-J3	L501	1:J5	5-H2
C308	1:D5	3-H1	C3531	1:A5	3-E12	C441	1:E2	4-G8	C533	2:J4	5-E5	C700	1:G1	7-H3	D702	1:F1	7-D2			5-J4	L502	1:J5	5-B2
C309	1:K8	3-D2	C3532	1:A8	3-F13	C442	1:H3	4-C8	C534	1:J4	5-H6	C701	1:H1	7-H3			7-E2	IC501	1:J5	5-H4	L503	2:J6	5-E3
C310	1:J9	3-F2	C3533	1:A6	3-E13	C443	1:H3	4-C8	C535	1:J4	5-A6	C702	1:G1	7-G3	D703	1:F2	7-E3	IC502	1:J4	5-A5	L504	2:J5	5-D4
C311	1:D5	3-J2	C3534	1:A6	3-F13	C444	1:G2	4-C9	C536	1:J6	5-J6	C703	1:G1	7-G3	D704	1:F2	7-E2			5-F3	L505	2:J5	5-F4
C314	1:J8	3-D2	C3535	1:A8	3-E13	C445	1:G3	4-C9	C537	1:H5	5-H6	C704	1:H1	7-F3	D705	2:N7	7-E7			5-H5	L506	1:G4	5-K7
C315	1:D5	3-K2	C3536	1:A9	3-E13	C446	1:G3	4-B9	C538	2:H5	5-E6	C705	1:H2	7-F3			7-J7	IC503	1:H5	5-H7	L507	2:G4	5-C7
C317	1:H8	3-E3	C3537	1:A9	3-E14	C448	1:H3	4-D1															

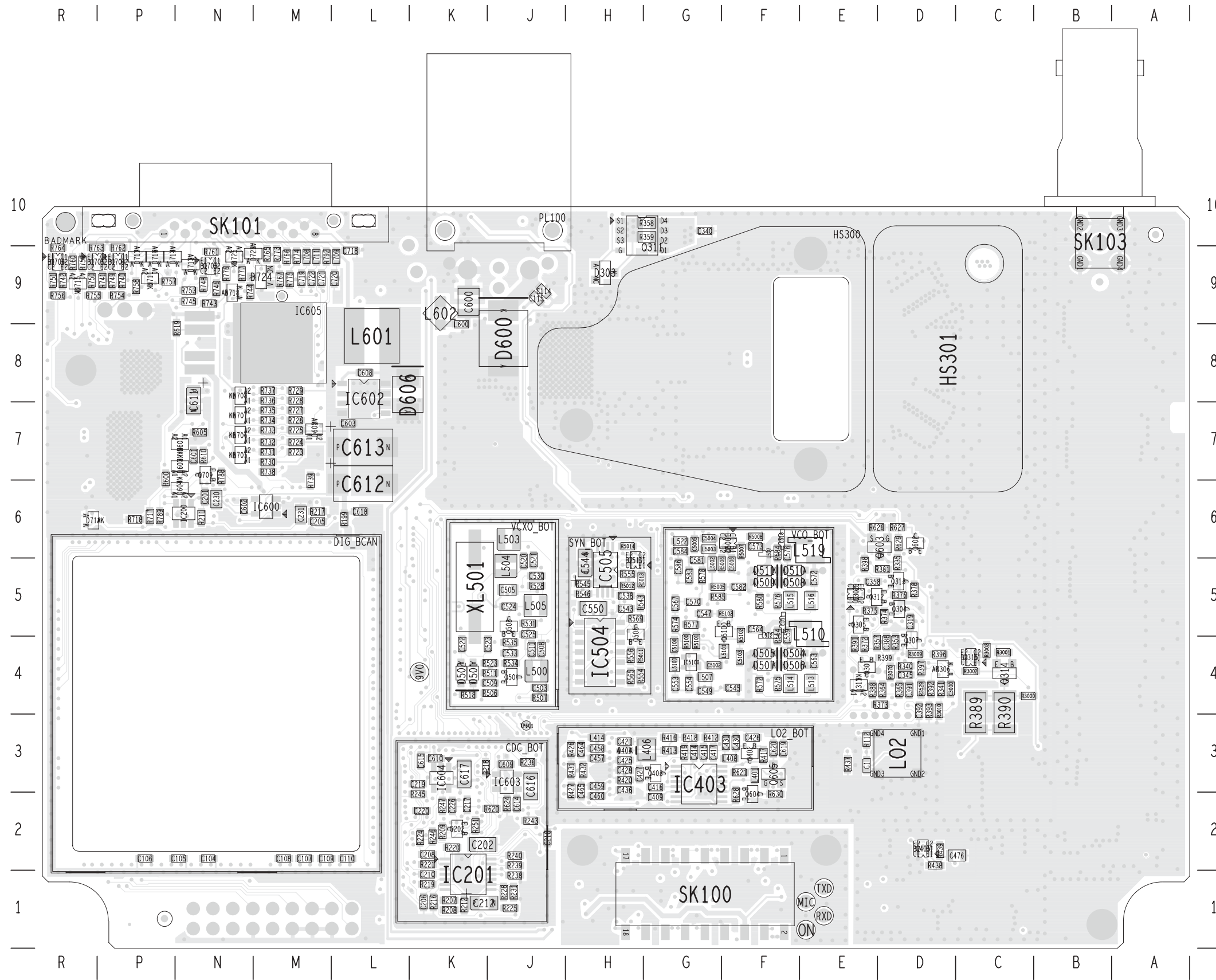
Grid Reference Index

PCB IPN 220-01722-02

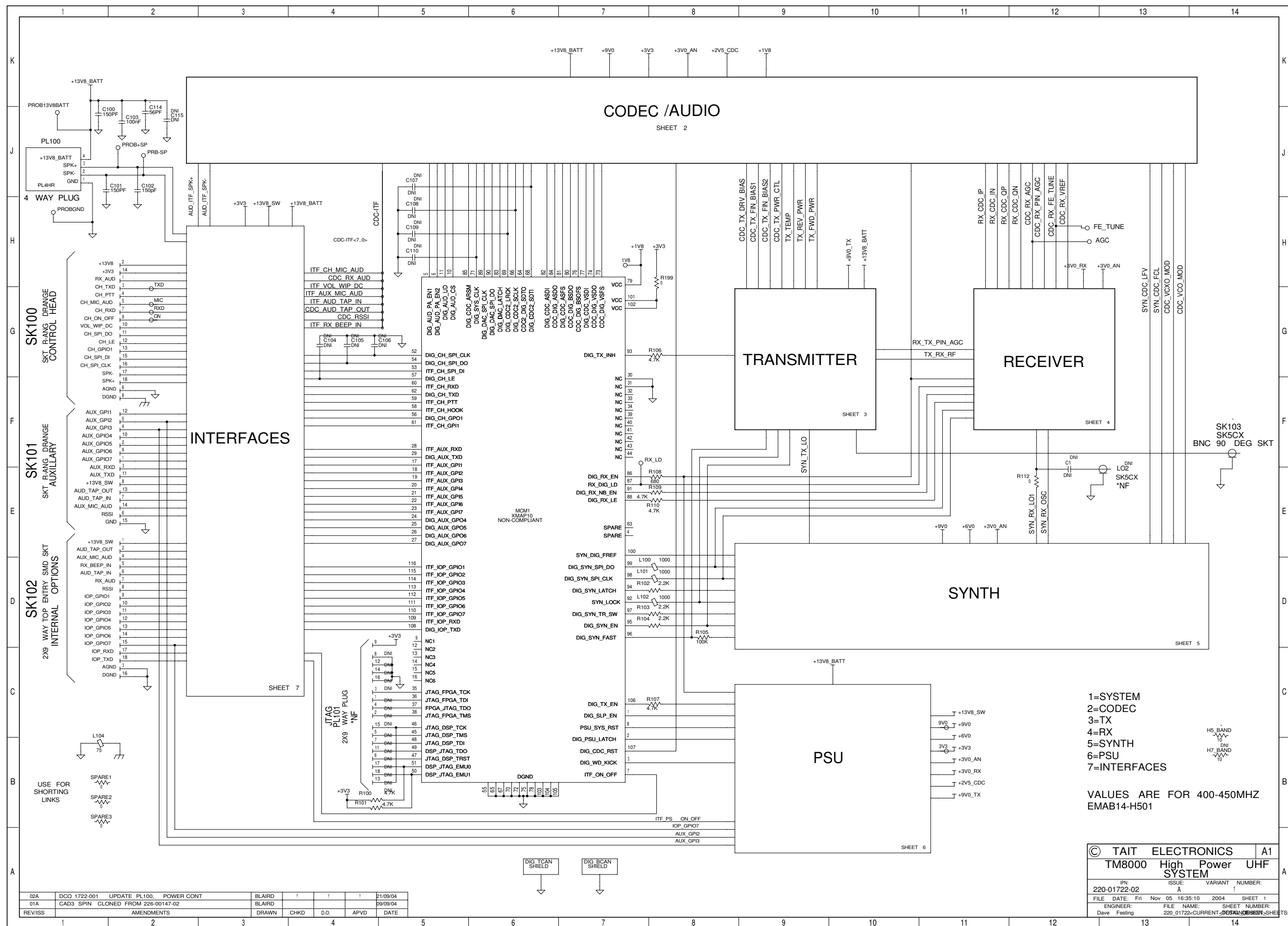
Ref	PCB	Circuit	Ref	PCB	Circuit	Ref	PCB	Circuit	Ref	PCB	Circuit	Ref	PCB	Circuit	Ref	PCB	Circuit	Ref	PCB	Circuit	Ref	PCB	Circuit
L602	2:K9	6-E3	Q505	2:H5	5-G10	R231	2:J1	2-E4	R3516	1:J7	3-B3	R409	1:D1	4-G5	R534	2:J4	5-E5	R621	2:F3	6-D9	R771	1:P9	7-F12
L700	1:G2	7-H3	Q506	1:G5	5-F12	R232	1:J3	2-F8	R3518	1:K6	3-A3	R410	1:D2	4-H5	R535	2:J4	5-E5	R624	2:J2	6-D6	R772	1:R9	7-E12
L701	1:H2	7-H3			5-F13	R233	1:K2	2-F8	R3519	1:J7	3-C4	R411	1:D1	4-H5	R536	1:K4	5-G5	R626	2:E6	6-F7	R773	2:M9	7-K12
L702	1:G1	7-G3	Q507	1:F5	5-F12	R234	1:K2	2-G8	R351	1:F9	3-E6	R412	2:G3	4-C5	R537	1:H6	5-C4	R627	2:D6	6-F7	R774	2:M9	7-J12
L703	1:G1	7-G3	Q508	1:G5	5-G13	R235	1:K2	2-F8	R3520	1:J7	3-C4	R413	2:G3	4-C5	R538	1:J4	5-J5	R628	2:F2	6-C7	R775	2:M9	7-J12
L704	1:F1	7-B3			5-F13	R236	2:J3	2-D9	R3521	1:H7	3-C4	R414	1:D1	4-G5	R539	1:J4	5-H5	R629	2:D6	6-F8	R776	2:N9	7-D11
L706	1:F1	7-B3	Q5100	2:F5	5-B9	R237	1:K1	2-D11	R3522	1:H7	3-C5	R415	1:D1	4-H5	R540	1:J4	5-B5	R630	2:F2	6-D8	R777	2:N9	7-D11
L707	1:G1	7-C5	Q510	1:E5	5-D13	R238	2:J1	2-F11	R3523	1:J7	3-B5	R416	2:G3	4-D6	R541	1:J6	5-G6	R700	1:F1	7-E2	R778	1:N9	7-J12
L708	2:M9	7-C12	Q511	2:H5	5-F8	R239	2:J2	2-F11	R3524	1:J7	3-B5	R417	2:F3	4-E6	R542	1:H5	5-F6	R701	1:F1	7-D2	R779	1:P9	7-G12
L709	2:L9	7-B12	Q512	1:G5	5-G7	R240	2:J2	2-F11	R3525	1:J7	3-B4	R418	2:G3	4-D6	R543	2:H5	5-E6	R702	1:G1	7-J2	R780	1:P9	7-F12
L711	2:M9	7-B12	Q600	1:L9	6-D2	R241	1:K1	2-D12	R3526	1:K8	3-D1	R419	2:G3	4-D6	R544	1:H5	5-J7	R703	1:F2	7-D3	R781	1:R9	7-E12
LK1	1:L7	6-E2	Q601	1:N8	6-F5	R242	1:K2	2-C12	R3527	1:K8	3-D1	R420	2:H3	4-C6	R545	2:H5	5-F7	R704	1:H1	7-H2	R782	1:N9	7-J12
LK2	1:L7	6-E2	Q602	2:D6	6-F7	R243	2:J2	2-D9	R3529	2:D4	3-B12	R421	1:D1	4-H7	R546	2:H5	5-E7	R705	1:G1	7-J2	R783	1:P9	7-G12
LK3	1:L7	6-D2	Q603	2:D6	6-F8	R245	2:K2	2-F11	R3530	1:B9	3-E14	R422	1:D1	4-G7	R547	1:H5	5-F7	R706	1:F1	7-C2	R784	1:P9	7-F12
LK4	1:M7	6-C2	Q604	2:F2	6-C8	R246	2:K2	2-C13	R3535	1:K7	3-A5	R423	1:E1	4-G7	R548	1:H5	5-J7	R707	1:G1	7-J2	R785	1:R9	7-E12
LK5	1:M6	7-C6	Q605	2:F3	6-D8	R247	2:K2	2-G7	R3536	1:K7	3-A5	R424	1:E3	4-F10	R549	1:G5	5-K8	R708	1:G1	7-F2	R788	2:N7	7-D3
LK6	1:N6	7-C6	Q700	1:F1	7-C2	R249	1:K3	2-H8	R3537	1:H7	3-D2	R425	1:G3	4-D12	R550	1:H5	5-G8	R709	1:F1	7-C2	R789	2:P6	7-D3
LK7	1:N9	7-C9	Q701	1:G2	7-J2	R250	1:N7	2-D3	R3538	1:K7	3-E1	R426	2:H3	4-C12	R551	1:H5	5-H8	R710	1:F1	7-B2	R790	1:F2	7-B3
LK8	1:N9	7-C9			7-J3	R251	2:K2	2-J3	R3539	1:J8	3-B4	R427	2:H3	4-C12	R552	1:H5	5-G8	R711	1:G2	7-J2	R791	1:M9	7-C11
LO2	2:D3	1-E13	Q702	1:N9	7-H5	R252	1:R7	2-C5	R35	2:D4	3-J5	R428	1:G3	4-D12	R554	2:H4	5-G9	R712	1:F1	7-C2	R792	2:M9	7-B12
LO2_BOT	2:G3	4-A8	Q703	2:N9	7-H10	R253	1:R7	2-C5	R3540	1:B5	3-E12	R429	1:G3	4-D12	R555	2:H5	5-F9	R713	1:G2	7-J3	RESET	1:L7	6-B2
LPF_TOP	1:B6	3-B14			7-H11	R3000	2:C4	3-G10	R3541	1:R7	3-D13	R430	1:H2	4-C12	R556	2:H4	5-F9	R714	1:G1	7-J3	REV_PWR	1:D4	3-C10
MCM1	1:N4	1-E6	Q704	2:P9	7-G10	R3001	2:C4	3-G11	R3542	1:B8	3-E14	R431	2:H3	4-C12	R557	1:H4	5-J8	R715	1:F2	7-E3	RXD	2:E1	1-G2
MIC	2:E1	1-G2			7-G11	R3002	2:C4	3-G11	R354	1:F6	3-C6	R432	2:H3	4-C12	R558	1:F4	5-E8	R716	1:F2	7-D3	RX_LD	1:L4	1-F7
ON	2:E1	1-G2	Q705	2:P9	7-F10	R3003	2:C4	3-G11	R355	1:C9	3-F5	R433	1:F3	4-G13	R559	1:F4	5-D8	R717	2:P6	7-C2	SET_PWR	1:E5	3-G2
PAD_TOP	1:J8	3-D14			7-F11	R3004	1:L5	3-F12	R356	1:F7	3-C6	R434	1:F3	4-H13	R560	1:H4	5-J9	R718	2:P6	7-C3	SK100	2:G1	1-F2
PAF_TOP	1:E8	3-C14	Q706	2:R9	7-E11	R3005	1:F7	3-C6	R357	2:E4	3-J5	R435	1:F3	4-H14	R561	1:F4	5-E9	R719	1:R9	7-K5			1-G2
PIN_TOP	1:B3	3-B14			7-E10	R3006	1:F6	3-B6	R358	2:G10	3-G6	R436	1:F2	4-G14	R562	1:F4	5-D9	R720	1:P9	7-J5			1-H2
PL100	2:K9	1-J1	Q707	1:P9	7-H12	R3007	1:G7	3-C5	R359	2:G10	3-G6	R437	2:E3	4-A6	R563	1:G4	5-F9	R721	1:N9	7-J5	SK101	2:P10	1-E2
PL101	1:N1	1-B4	Q708	1:R9	7-J5	R3008	1:G6	3-C5	R360	1:F7	3-C6	R438	2:D2	4-H1	R564	2:F5	5-D9	R722	1:N9	7-J5			1-F2
		1-C4	Q709	2:N7	7-D3	R3009	2:D4	3-G8	R361	1:F7	3-B6	R439	2:D2	4-H1	R565	2:H4	5-F10	R723	2:M7	7-J7	SK102	1:M8	1-C2
PRB-SP	1:L10	1-J2	QN	1:H2	4-C12	R3010	2:D4	3-B11	R362	1:D6	3-C7	R5005	2:G5	5-C12	R566	1:G4	5-F10	R724	2:M7	7-J7			1-E2
PROB13V8B	1:J9	1-J1	R100	1:L1	1-B4	R3070	2:D4	3-H7	R363	1:E6	3-A7	R5006	2:F5	5-C12	R567	1:F4	5-E9	R725	2:M7	7-H7			1-D2
ATT			R101	1:L1	1-B4	R311	1:E5	3-H2	R364	2:D4	3-H6	R5007	2:F6	5-C12	R568	1:H6	5-J10	R726	2:M7	7-H7	SK103	2:B10	1-F14
PROB+SP	1:K9	1-J2	R102	1:K4	1-D8	R312	1:E5	3-H3	R365	2:D4	3-G6	R5008	2:F6	5-B12	R569	2:H5	5-H10	R727	2:M7	7-G7	SPARE1	1:K7	1-B1
PROBGND	1:K9	1-H1	R103	1:K5	1-D8	R313	1:D4	3-J2	R366	1:D6	3-B7	R500	1:J2	5-J1	R570	1:G4	5-F10	R728	2:M8	7-G7	SPARE2	1:K7	1-B1
PWR	1:D3	3-K1	R104	1:K5	1-D8	R314	1:E4	3-J2	R367	1:E6	3-A7	R5010	1:H6	5-F8	R571	1:G4	5-F10	R729	2:M8	7-F7	SPARE3	1:K6	1-B1
Q200	1:N7	2-C3	R105	1:K5	1-D8	R315	1:D5	3-H1	R368	1:D6	3-C8	R5011	2:H4	5-F9	R572	2:F4	5-D10	R730	2:M7	7-E7	SYN_BOT	2:H5	5-A11
		2-D2	R106	1:K4	1-G8	R318	1:E5	3-G2	R369	1:E6	3-B8	R5012	2:H5	5-F8	R573	1:F4	5-F10	R731	2:M7	7-J8	SYN_TOP	1:G5	5-A10
Q201	1:N7	2-D3	R107	1:L6	1-C8	R321	1:D5	3-J2	R370	1:D6	3-C8	R5013	2:H5	5-F8	R574	2:G5	5-B10	R732	2:M7	7-H8	T400	1:D3	4-G9
Q202	2:K2	2-J3	R108	1:K3	1-E8	R322	1:E5	3-H2	R371	1:E6	3-B8	R5014	2:H6	5-E9	R575	2:F4	5-D11	R733	2:M7	7-H8	T401	1:E3	4-G10
Q301	2:E4	3-A11	R109	1:K4	1-E8	R323	1:D5	3-J2	R372	2:E4	3-B9	R501	1:K6	5-B1	R576	2:F5	5-D11	R734	2:M7	7-G8	TP200	1:N6	2-D4
Q302	2:E5	3-H3	R110	1:L4	1-E8	R324	1:J9	3-F2	R373	2:D4	3-C9	R502	1:J2	5-J1	R577	2:G5	5-F11	R735	2:M7	7-G8	TP500	1:K4	5-G3
		3-H2	R112	2:E3	1-E12	R327	1:J9	3-F2	R374	2:D5	3-B9	R503	1:K6	5-B1	R578	2:G5	5-B11	R736	2:M8	7-F8	TP501	1:K4	5-G5
Q304	2:D5	3-B9	R199	2:L6	1-H8	R328	1:J8	3-E2	R375	2:E5	3-B9	R504	1:K5	5-C1	R579	1:G5	5-F12	R737	2:M8	7-F8	TP502	1:J3	5-J5
Q305	2:E5	3-B8	R200	1:N6	2-D2	R331	1:D5	3-J3	R376	2:D5	3-A9	R505	1:J2	5-K2	R580	2:F5	5-D12	R738	2:M7	7-E8	TP503	1:G4	5-J11
Q306	1:J8	3-E3	R201	1:N7	2-D2	R333	1:E5	3-H3	R377	1:E4	3-B9	R506	2:J4	5-D2	R581	1:F5	5-F12	R739	2:M6	7-E8	TP504	1:J3	5-J2
Q307	2:D4	3-J5	R202	1:N7	2-C2	R334	1:D5	3-J3	R378	2:D5	3-A9	R507	2:J4	5-F2	R582	1:F5	5-F12	R740	2:P9	7-G10	TP601	2:J3	6-D8
Q308	1:K10	3-G4	R203	1:N7	2-D2	R335	2:D5	3-H1	R379	1:D4	3-F9	R508	1:G5	5-G8	R583	1:F5	5-E12	R741	2:P9	7-F10	TXD	2:E1	1-G2
Q309	1:E8	3-E5	R204	1:N7	2-D2	R336	1:E5	3-H3	R380	1:D4	3-E9	R509	1:J5	5-G2	R584	2:F6	5-D13	R742	2:R9	7-E10	TX_EN	1:L6	6-F8
Q310	1:E9	3-D6	R205	1:N7	2-D3	R337	1:D4	3-H8	R381	2:D5	3-A9	R5100	2:G4	5-C7	R585	2:G5	5-G13	R743	2:N9	7-D10	TX_INH	1:D4	3-B9
Q311	2:H10	3-G5	R206	1:N7	2-D3	R338	1:H9	3-G3	R382	1:D4	3-F9	R5101	2:G4	5-C9	R586	1:E6	5-A7	R744	2:N9	7-D10	TX_TEMP	1:K3	3-H12
Q312	2:E5	3-A10	R207	2:K1	2-H3	R339	1:K10	3-G4	R383	1:C4	3-D9	R5102	2:F5	5-C9	R587	1:F5	5-E13	R745	2:N9	7-H10	VCO_BOT	2:F5	5-A12
Q313	2:D5	3-A9	R208	2:K1	2-G3	R340	2:D4	3-H7	R384	1:D3	3-E10	R5103	2:F5	5-B9	R588	1:F5	5-D13	R746	2:N9	7-D12	VCO_TOP	1:E5	5-A11
Q314	2:C4	3-G11	R209	2:K2	2-J3	R341	2:D4	3-B11	R385	1:C4	3-C10	R510	1:J6	5-G2	R590	1:G5	5-F13	R747	1:M9	7-C11	VXO_BOT	2:J5	5-A10
Q315	2:C4	3-G11	R210	1:N7	2-C3	R342	1:E4	3-H4	R386	1:B3	3-D11	R511	2:J4	5-D2	R591	1:F5	5-D13	R748	2:N9	7-H11	XF400	1:F3	4-G12
		3-F11	R211	2:N6	2-F3	R343	1:H9	3-F4	R387	1:C4	3-C10	R512	1:J5	5-G2	R592	1:F5	5-E13	R749	2:P9	7-G11	XF401	1:G3	4-D13
Q3501	1:H6	3-C1	R212	2:K1	2-G3	R344	1:J10	3-G4	R388	2:E4	3-B11	R513	1:K5	5-J2	R593	1:G5	5-F13	R750	2:R9	7-F11	XL500	1:J1	5-J1
Q3502	1:J6	3-A2	R213	1:N6	2-C3	R345	1:E4	3-H4	R389	2:C4	3-F10	R514	1:K5	5-J2	R594	1:G6	5-G7	R751	2:R9	7-E11	XL501	2:K5	5-E4
Q3504	1:J7	3-C3	R214	1:N6	2-E3	R346	1:J10	3-G4	R390	2:C4	3-F10	R515	1:K5	5-J2	R598	1:G5	5-H14	R753	2:N9	7-H11			

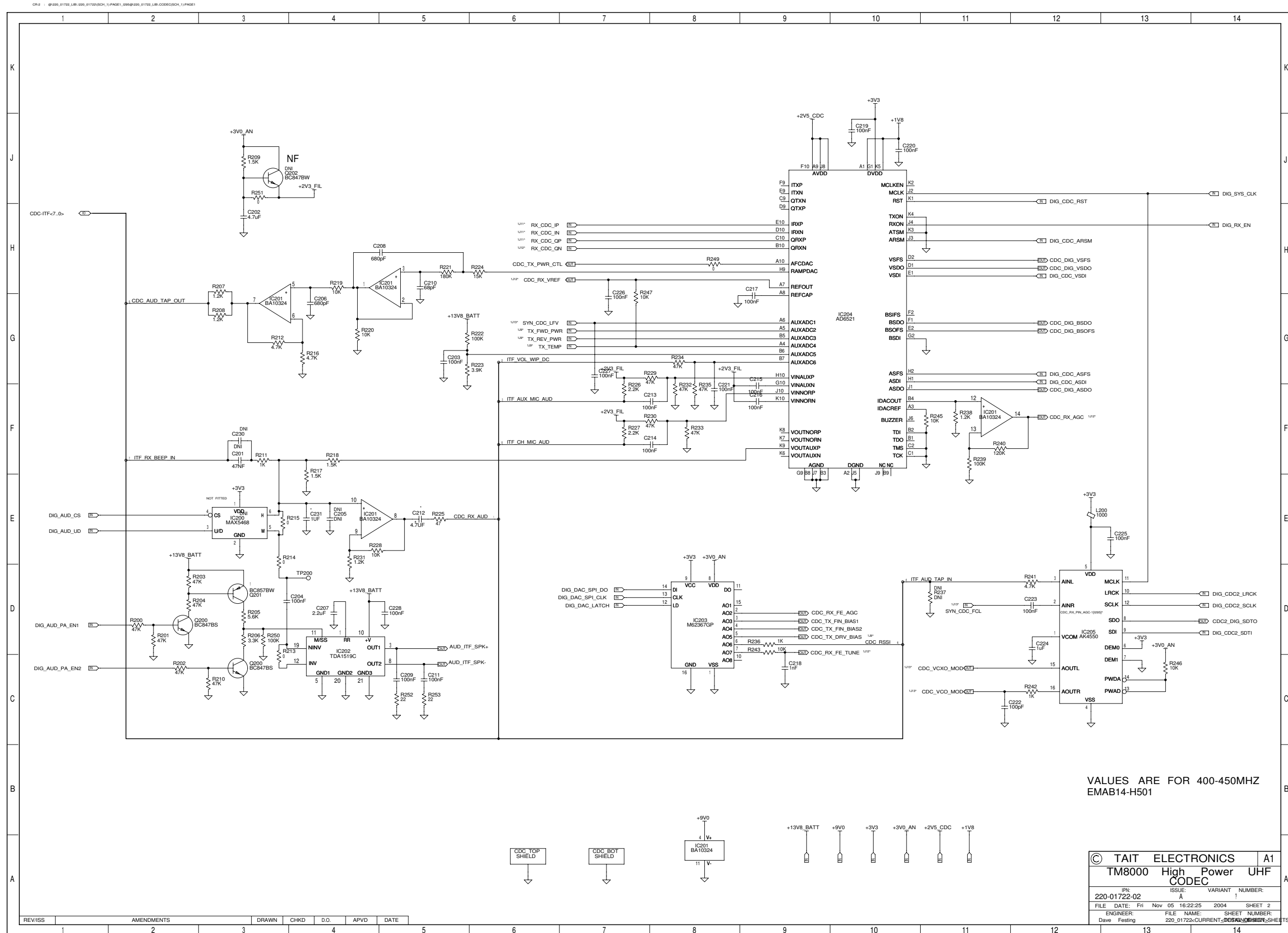


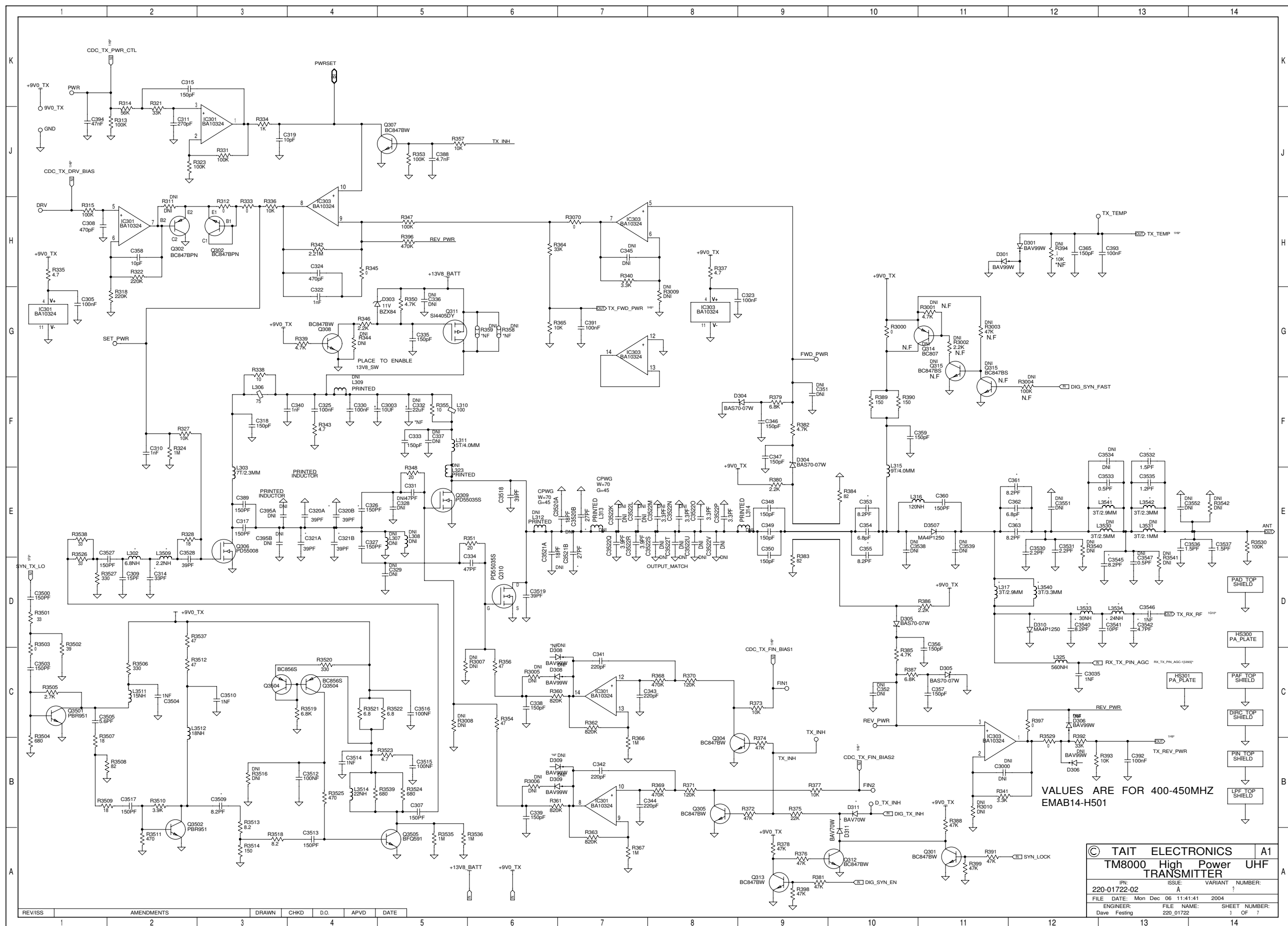
TAIT ELECTRONICS IPN: 220-01722-02 A ISS: 6Dec04 SCALE: NTS
 TM8000 UHF HIGH power mobile TM8000 40W 400-520MHz LAYOUT-PRIMARY-SIDE



TAIT ELECTRONICS IPN: 220-01722-02 ISS: A DATE: 6Dec04 SCALE: NTS
 TM8000 UHF HIGH power mobile TM8000 40W 400-520MHz LAYOUT-SECONDARY-SIDE

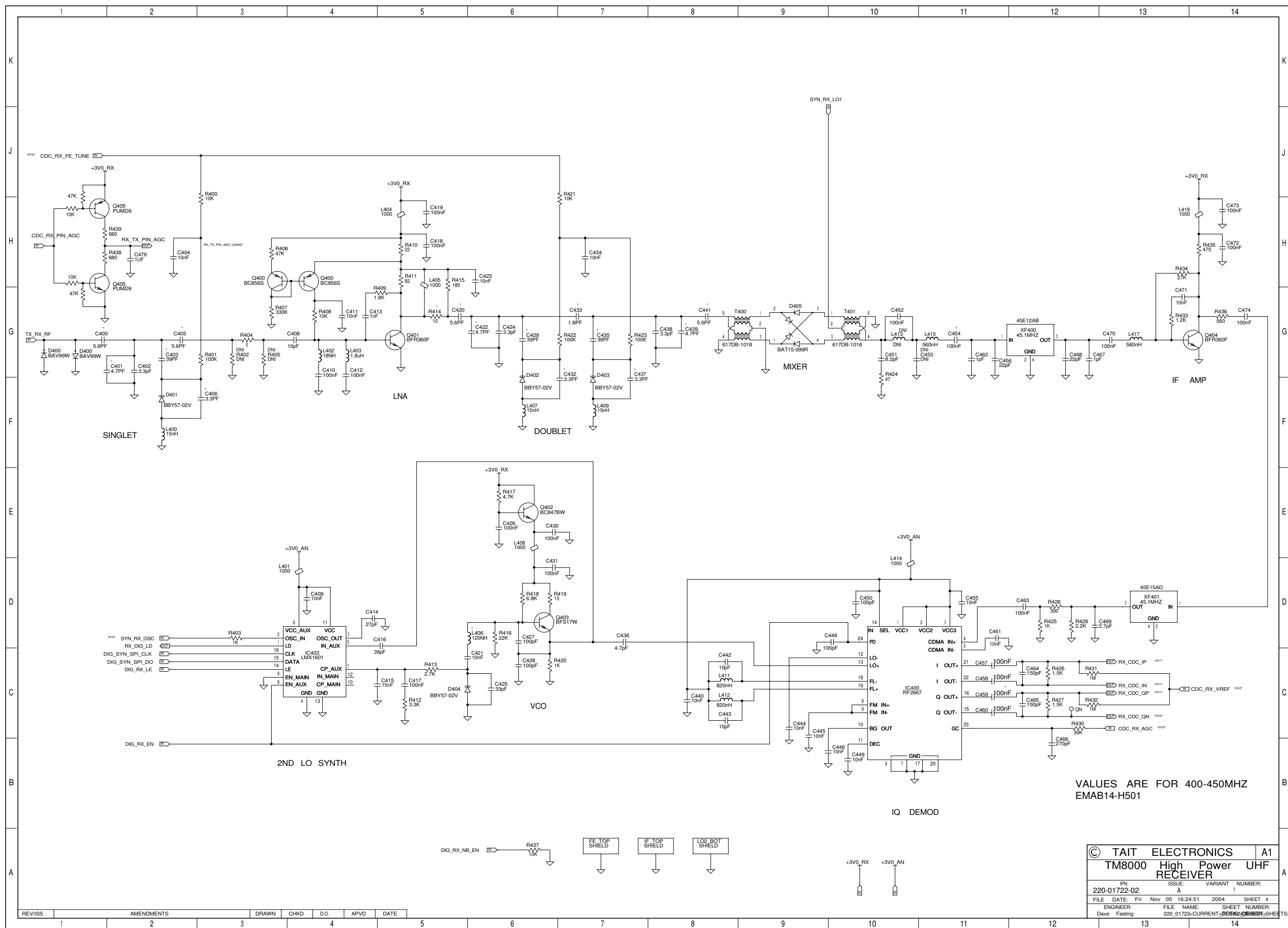


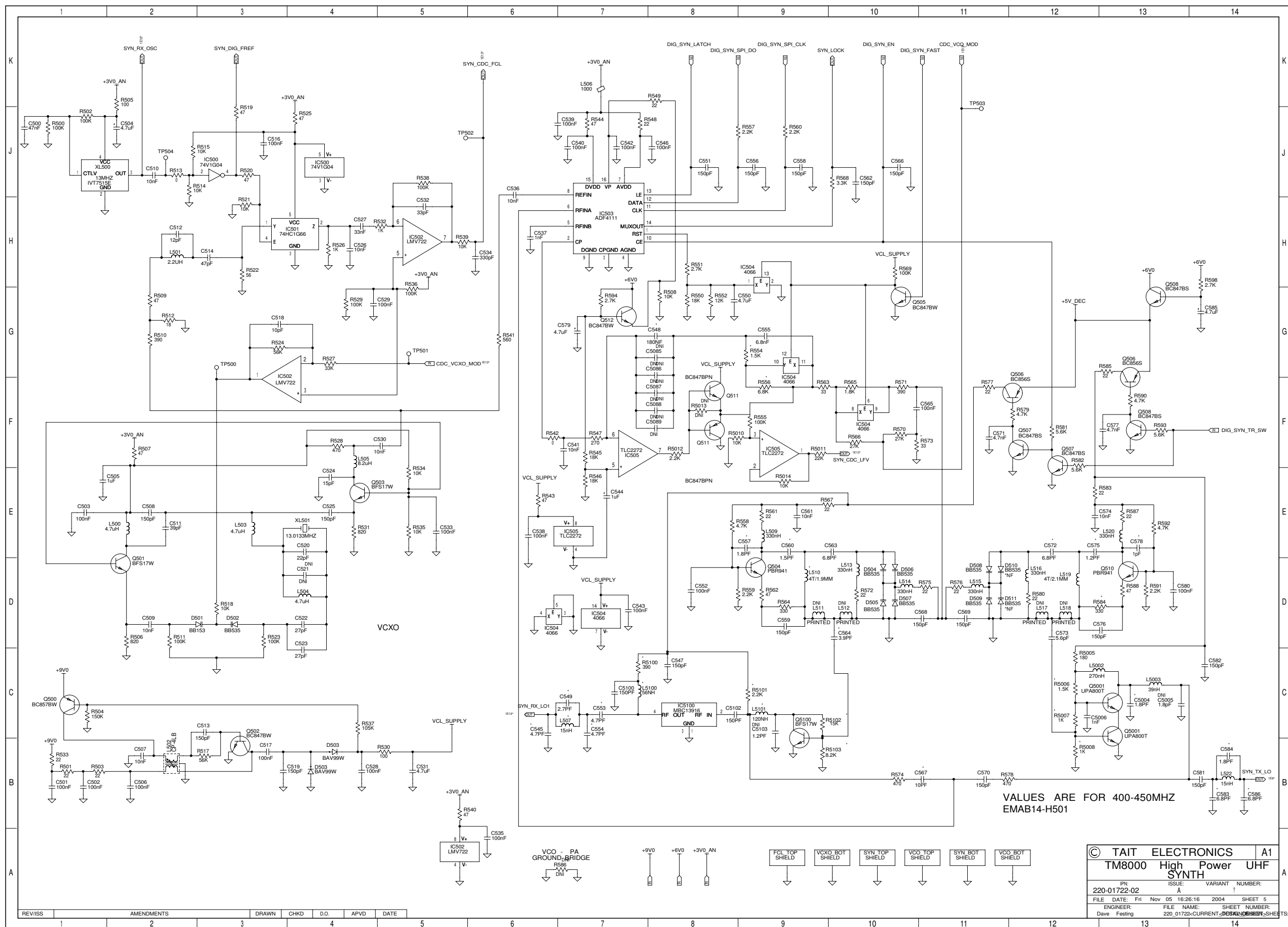




VALUES ARE FOR 400-450MHZ EMAB14-H501

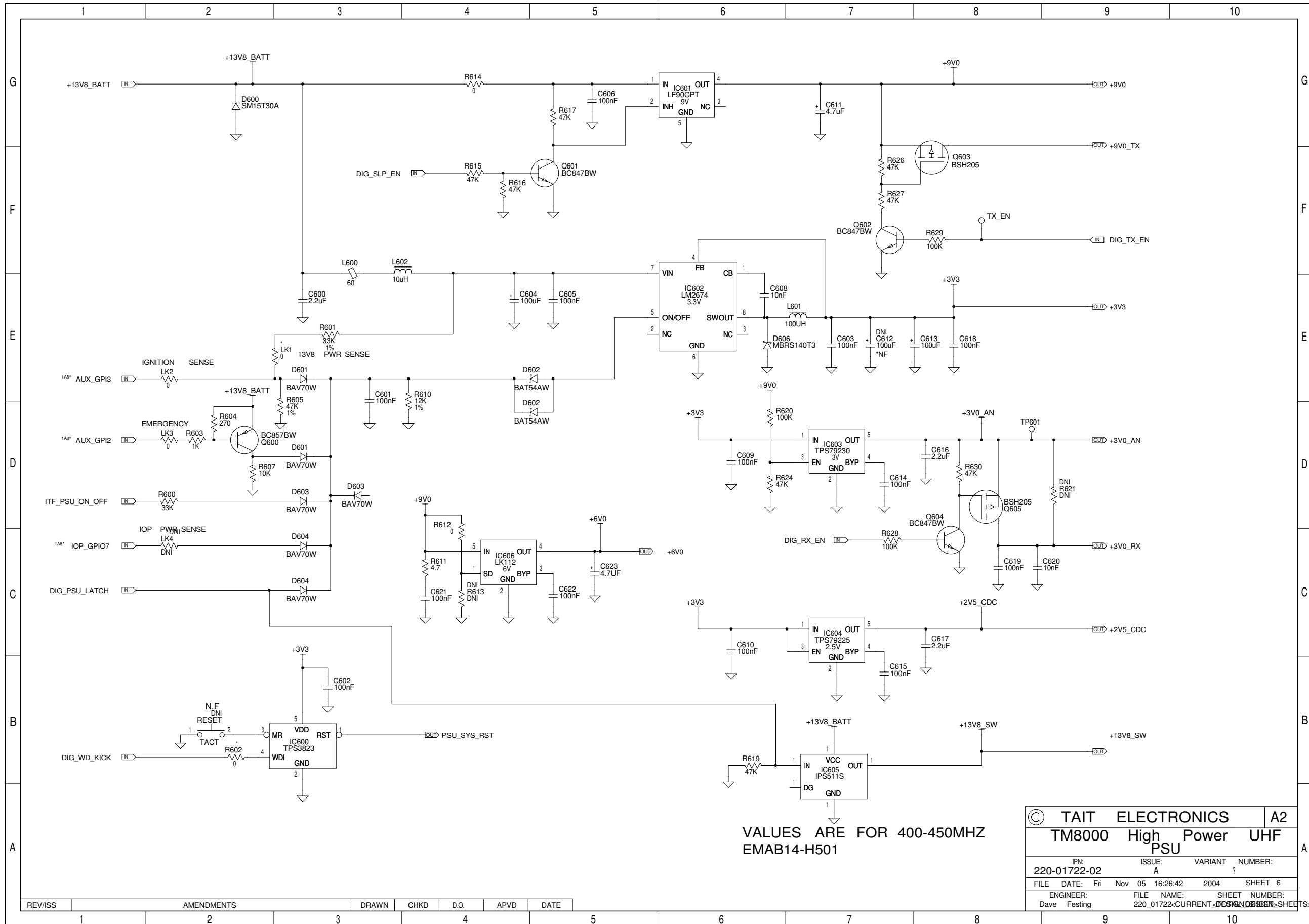
© TAIT ELECTRONICS		A1
TM8000 High Power UHF TRANSMITTER		
IPN: 220-01722-02	ISSUE: A	VARIANT NUMBER: ?
FILE DATE: Mon Dec 06 11:41:41 2004	ENGINEER: Dave Festing	FILE NAME: 220_01722
		SHEET NUMBER: 3 OF 7





© TAIT ELECTRONICS		A1
TM8000 High Power UHF SYNTH		
IPN: 220-01722-02	ISSUE: A	VARIANT NUMBER: ?
FILE DATE: Fri Nov 05 16:26:16 2004	SHEET 5	
ENGINEER: Dave Festing	FILE NAME: 220_01722-CURRENT_PCB_LAYOUT_SHEETS	SHEET NUMBER: ?

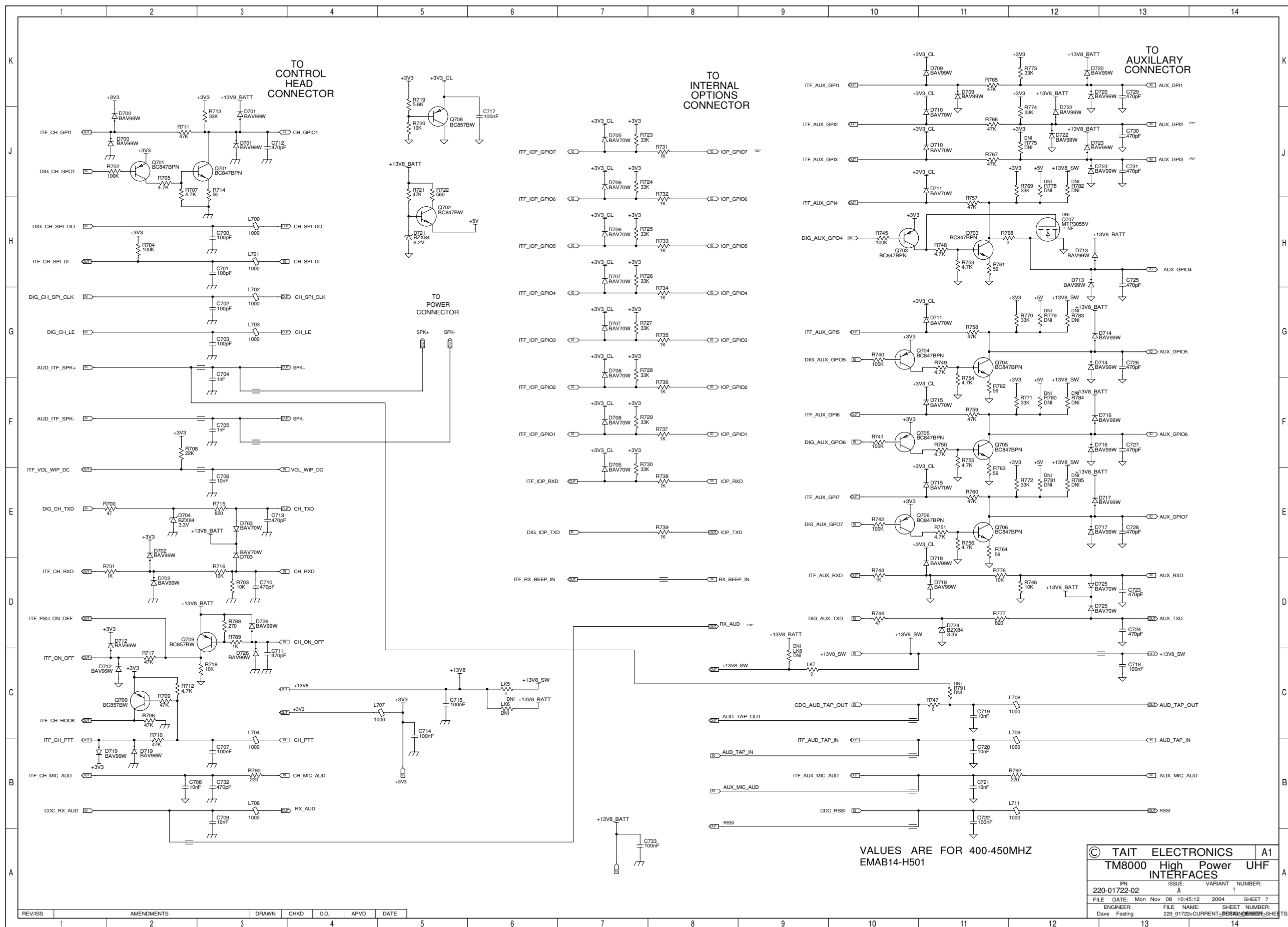
CR-6 : @220_01722_LIB\220_01722(SCH_1)\PAGE1_AA17@220_01722_LIB\PSU(SCH_1)\PAGE1



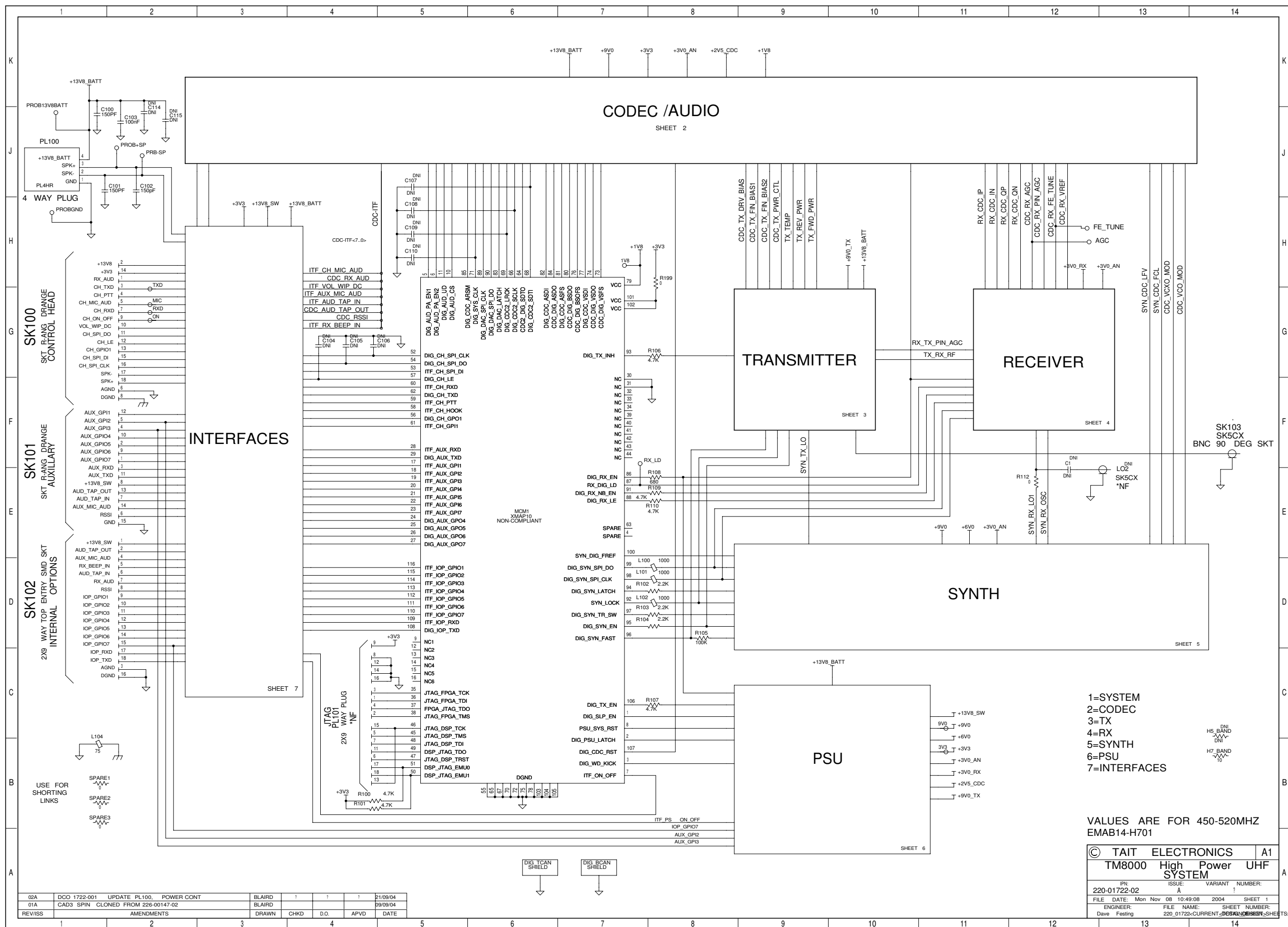
VALUES ARE FOR 400-450MHZ
EMAB14-H501

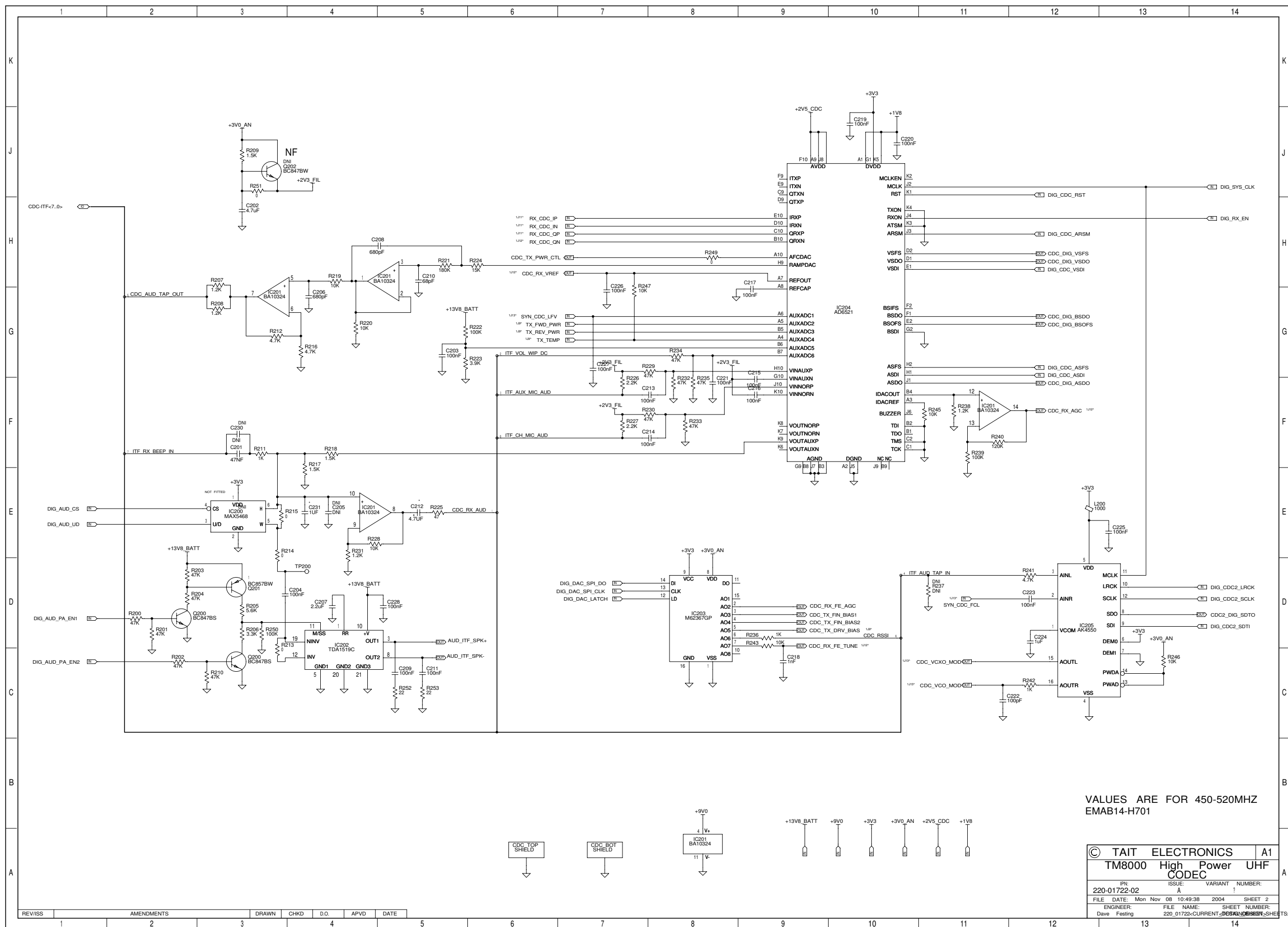
© TAIT ELECTRONICS		A2	
TM8000 High Power UHF PSU			
IPN:	ISSUE:	VARIANT:	NUMBER:
220-01722-02	A	?	?
FILE DATE:	Fri Nov 05 16:26:42 2004	SHEET 6	
ENGINEER:	FILE NAME:	SHEET NUMBER:	
Dave Festing	220_01722-CURRENT DESIGN SHEETS		

REV/ISS	AMENDMENTS	DRAWN	CHKD	D.O.	APVD	DATE
1						



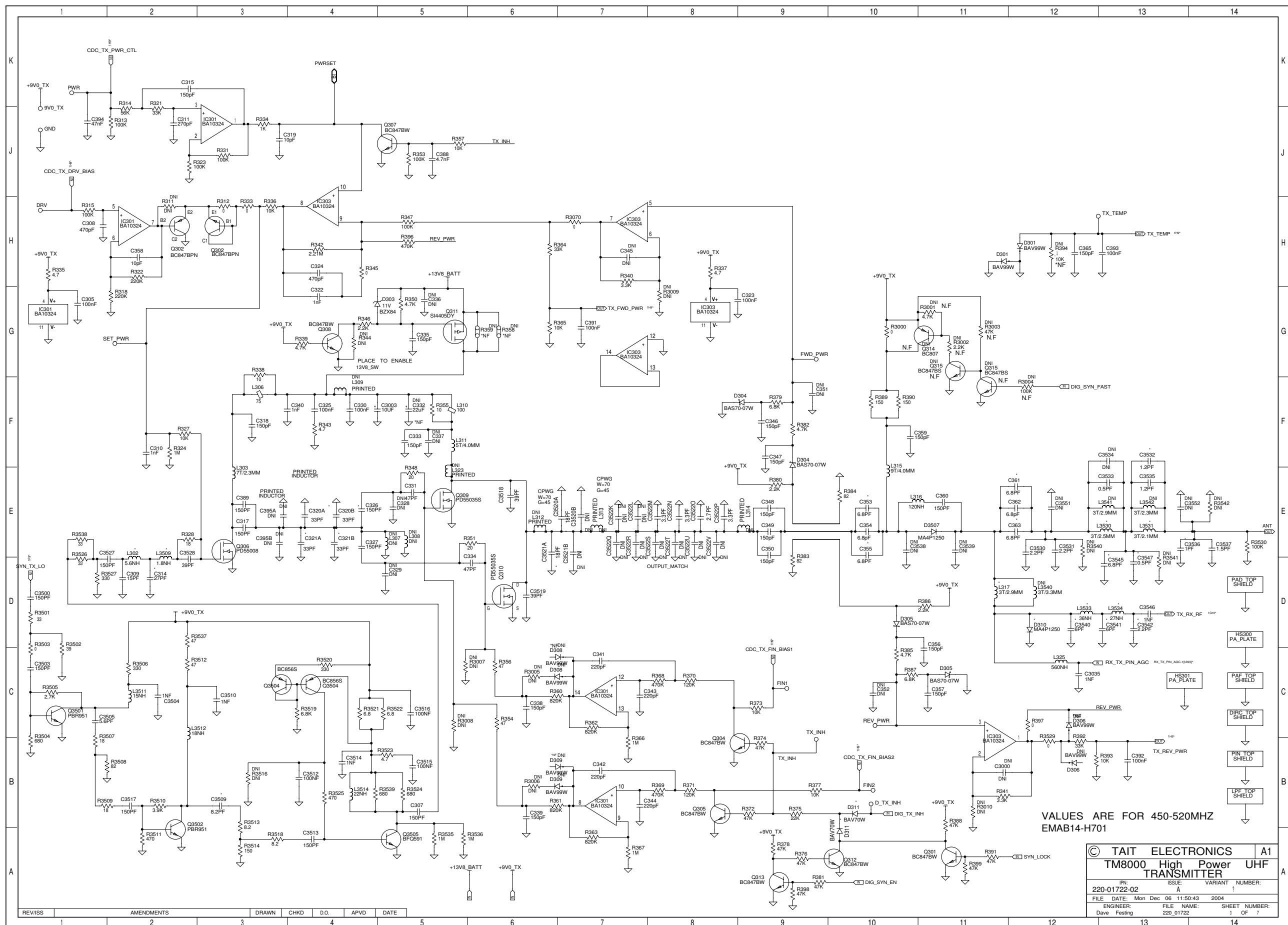
© TAIT ELECTRONICS		A1
TM8000 High Power UHF INTERFACES		
IPN: 220-01722-02	ISSUE: A	VARIANT NUMBER: ?
FILE DATE: Mon Nov 08 10:45:12 2004	FILE NAME: 220_01722-CURRENT_PCB_LAYOUT_SHEETS	SHEET NUMBER: 7
ENGINEER: Dave Festing	FILE NAME: 220_01722-CURRENT_PCB_LAYOUT_SHEETS	SHEET NUMBER: 7





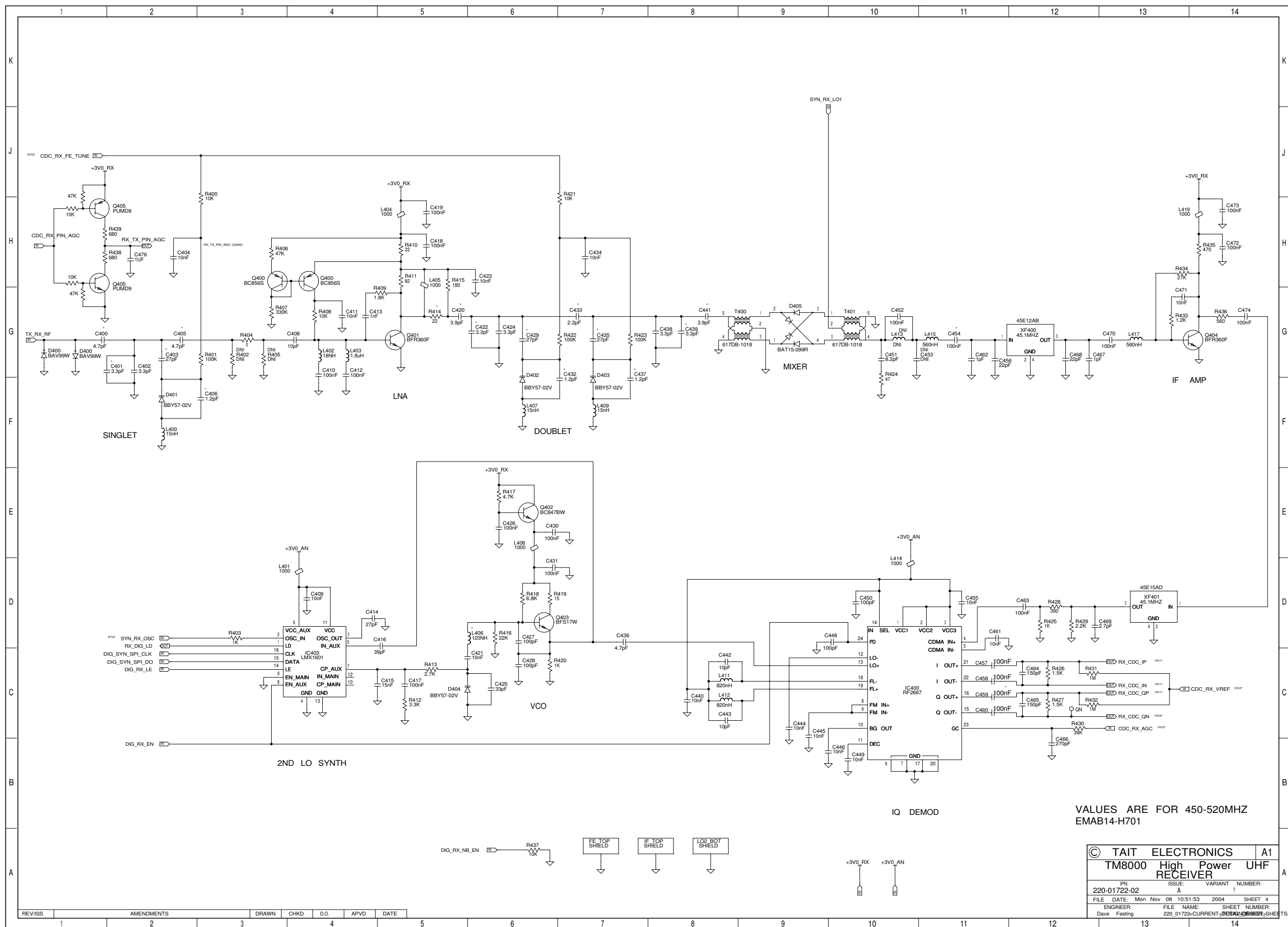
VALUES ARE FOR 450-520MHZ EMAB14-H701

© TAIT ELECTRONICS		A1
TM8000 High Power UHF CODEC		
IPN: 220-01722-02	ISSUE: A	VARIANT NUMBER: ?
FILE DATE: Mon Nov 08 10:49:38 2004	SHEET 2	
ENGINEER: Dave Festing	FILE NAME: 220_01722-CURRENT_SHEETS	SHEET NUMBER: 2



VALUES ARE FOR 450-520MHZ
EMAB14-H701

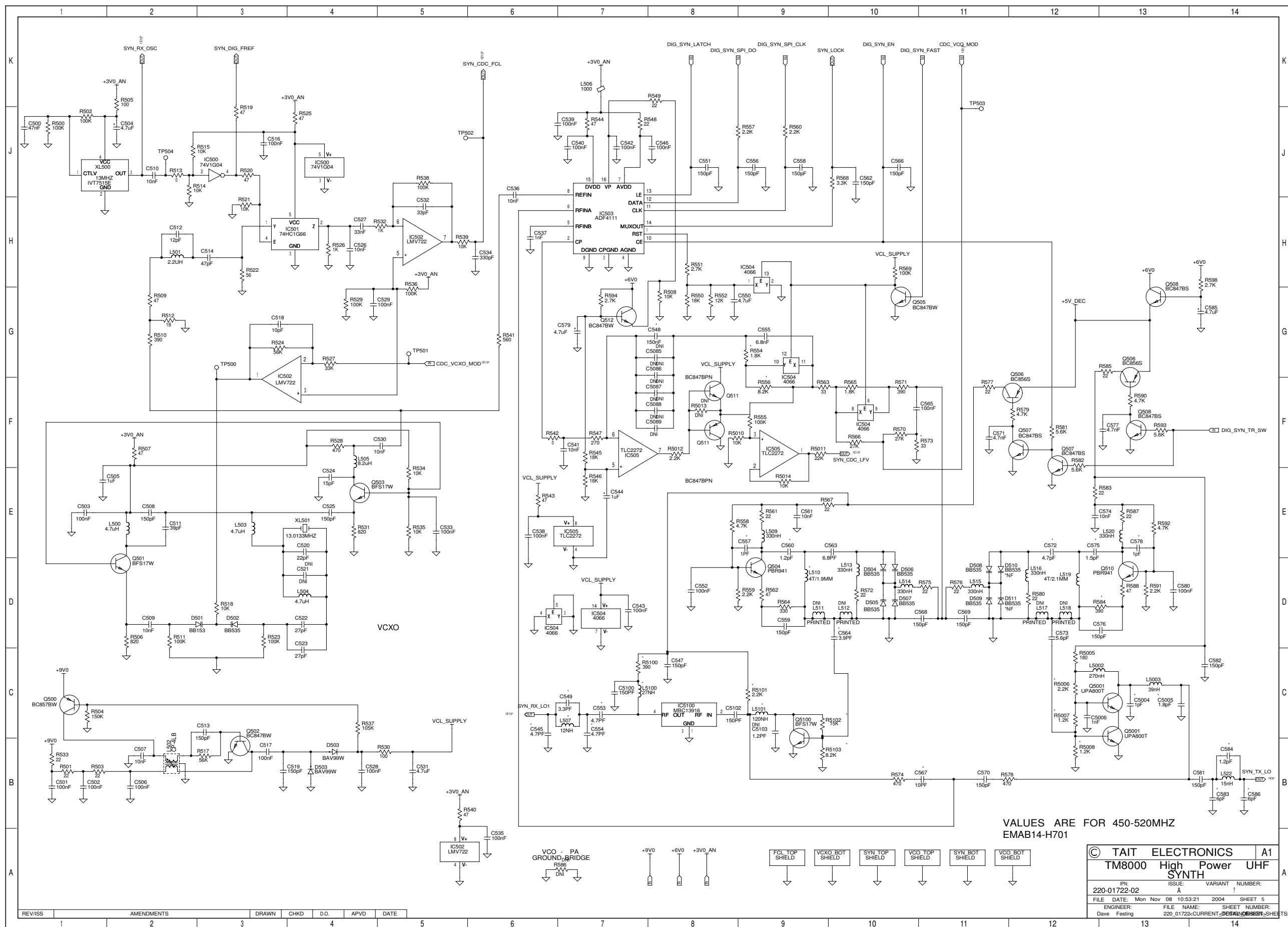
© TAIT ELECTRONICS		A1
TM8000 High Power UHF TRANSMITTER		
IPN: 220-01722-02	ISSUE: A	VARIANT NUMBER: ?
FILE DATE: Mon Dec 06 11:50:43 2004	FILE NAME: 220_01722	SHEET NUMBER: 3 OF 7
ENGINEER: Dave Festing		



VALUES ARE FOR 450-520MHZ
EMAB14-H701

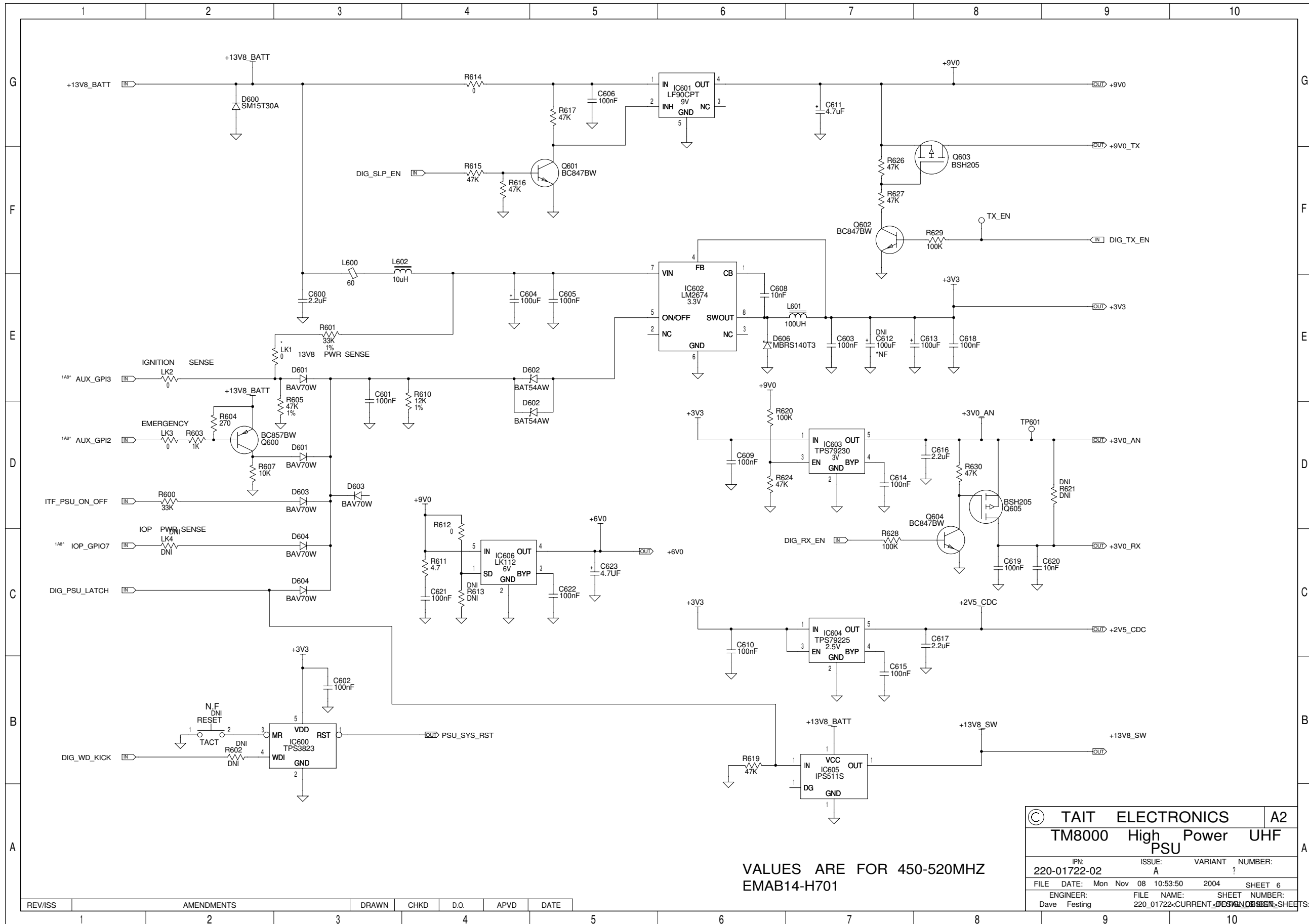
© TAIT ELECTRONICS		A1
TM8000 High Power UHF RECEIVER		
IPN: 220-01722-02	ISSUE: A	VARIANT NUMBER: ?
FILE DATE: Mon Nov 08 10:51:53 2004	FILE NAME: 220_01722-CURRENT_SHEETS	SHEET 4
ENGINEER: Dave Festing	FILE NAME: 220_01722-CURRENT_SHEETS	SHEET NUMBER: 4

REVISS	AMENDMENTS	DRAWN	CHKD	D.O.	APVD	DATE
1						



© TAIT ELECTRONICS		A1
TM8000 High Power UHF SYNTH		
IPN: 220-01722-02	ISSUE: A	VARIANT NUMBER: ?
FILE DATE: Mon Nov 08 10:53:21 2004	SHEET 5	
ENGINEER: Dave Festing	FILE NAME: 220_01722-CURRENT-PCB-DESIGN-SHEETS	SHEET NUMBER: ?

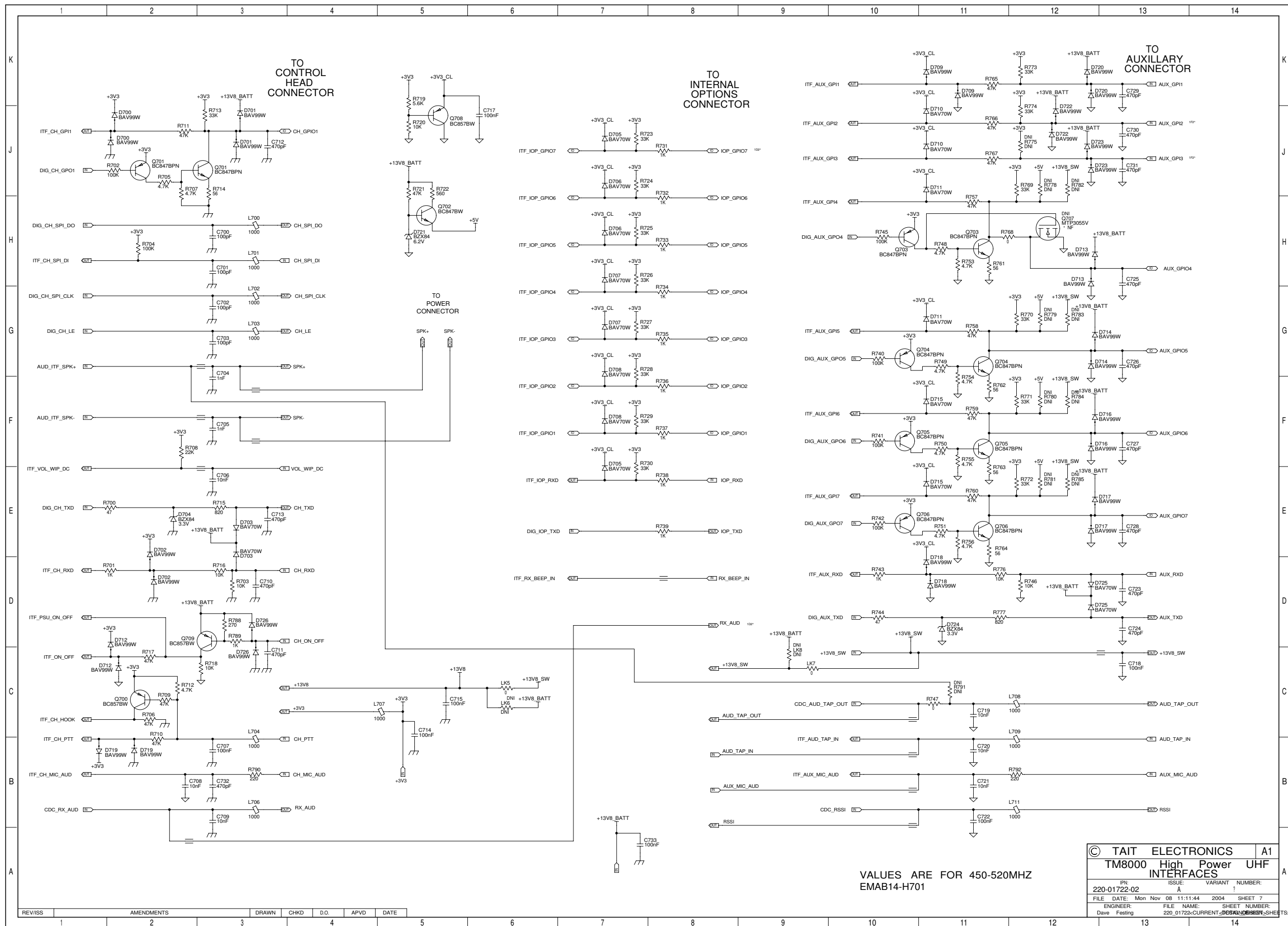
CR-6 : @220_01722_LIB\220_01722(SCH_1)\PAGE1_AA17@220_01722_LIB\PSU(SCH_1)\PAGE1



VALUES ARE FOR 450-520MHZ
EMAB14-H701

© TAIT ELECTRONICS		A2
TM8000 High Power UHF PSU		
IPN:	ISSUE:	VARIANT NUMBER:
220-01722-02	A	?
FILE DATE:	Mon Nov 08 10:53:50 2004	SHEET 6
ENGINEER:	FILE NAME:	SHEET NUMBER:
Dave Festing	220_01722-CURRENT DESIGN SHEETS	

REV/ISS	AMENDMENTS	DRAWN	CHKD	D.O.	APVD	DATE
1						



VALUES ARE FOR 450-520MHZ
EMAB14-H701

© TAIT ELECTRONICS		A1
TM8000 High Power UHF INTERFACES		
IPN: 220-01722-02	ISSUE: A	VARIANT NUMBER: ?
FILE DATE: Mon Nov 08 11:11:44 2004	SHEET 7	
ENGINEER: Dave Festing	FILE NAME: 220_01722-CURRENT-PCB-DESIGN-SHEETS	SHEET NUMBER: ?